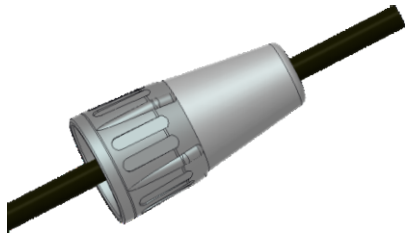




# ASSEMBLY INSTRUCTION

## RC\*FR/RC\*MR | XLR Right Angle Cable Connector

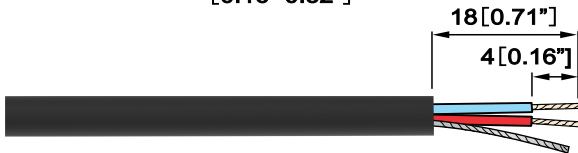
Ⓐ



Ⓐ Slide the boot onto the cable.

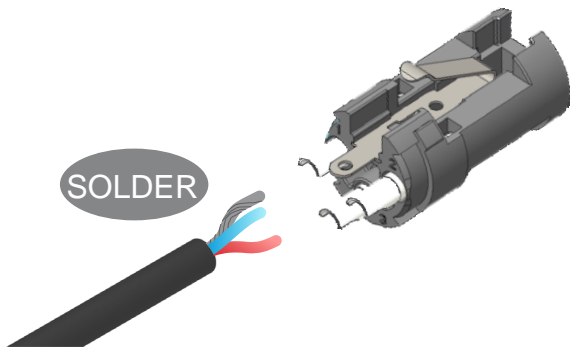
Cable O.D.: 4.0 - 8.0 mm  
[0.16- 0.32"]

Ⓑ



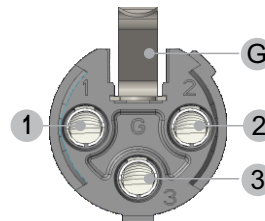
Ⓑ Prepare cable as shown.

Ⓒ

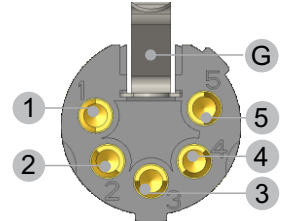


Ⓒ Insert wires into terminals and solder them.

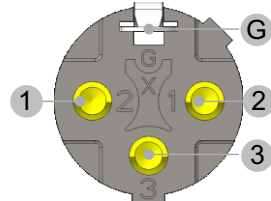
Wiring : 3 pole (Female)



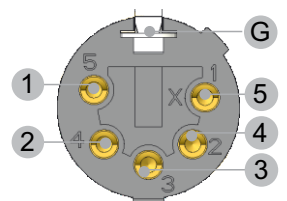
5 pole (Female)



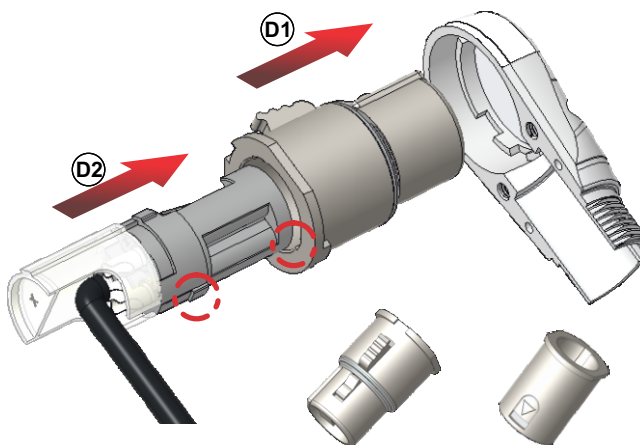
Wiring : 3 pole (Male)



5 pole (Male)



Ⓓ



Ⓓ Assemble the plastic insert .

Ⓓ1 Put the housing into the front body as shown picture.

Ⓓ2 Assemble the plastic insert and tube into the housing.

**Attention: Pay attention to the guiding key**

XLR Right Angle Cable Connectors:  
Find more details on  
[www.rean-connectors.com](http://www.rean-connectors.com)



Female housing for RC\*FR

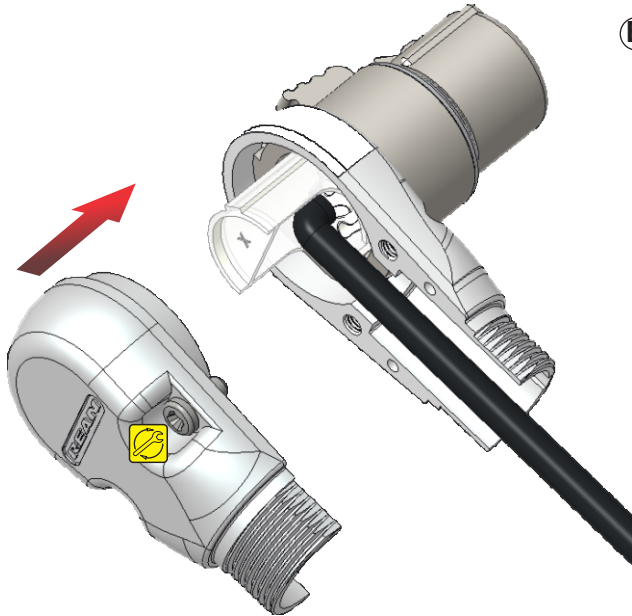
Male housing for RC\*MR

Neutrik AG	LI	T: +423 / 237 24 24	F: +423/232 53 93
Neutrik USA Inc.	USA	T: +1 704 / 972 3050	F: +1 704/438 9202
Neutrik (UK) Ltd.	UK	T: +44 1983 / 811 441	F: +44 1983/811 439
Neutrik Vertriebs GmbH	DE/NL/AT/DK	T: +49 8131 / 280 890	F: +49 8131/280 830

Neutrik France	FR	T: +33 1/4131 6750	F: +33 1/4131 0511
Neutrik Tokyo Ltd.	JP	T: +81 3/3663 4733	F: +81 3/3663 4796
Neutrik Hong Kong Ltd.	HK	T: +852/2687 6055	F: +852/2687 6052
Neutrik Trading Ltd.	CN	T: +0574/8825 0833	F: +0574/8826 5000

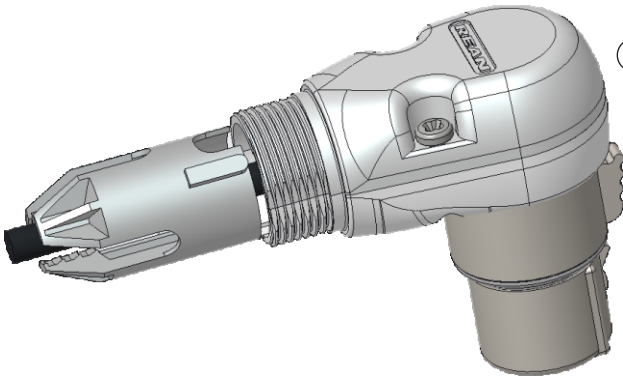
Draft. Nr.: NCN 006 | Update: 2021-03-12 | Data subject to change without prior notice. © 2021 REAN®. REAN® is registered trademark of Neutrik AG. ALL RIGHTS RESERVED.

Ⓔ



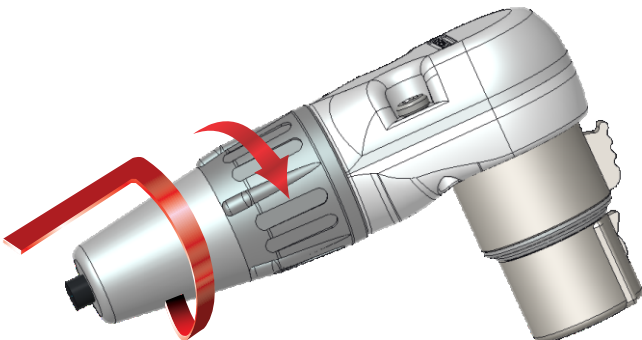
Ⓔ Put the back body onto the front body and tighten the screw by screw driver.  
**Attention: Align the body by positioning the threaded hole.**

Ⓕ



Ⓕ Put the chuck onto the cable and then push into the body.

Ⓖ



Ⓖ Finish the assembly by turning the bushing onto the connector.

XLR Right Angle Cable Connectors:  
 Find more details on  
[www.rean-connectors.com](http://www.rean-connectors.com)



Neutrik AG	LI	T: +423 / 237 24 24	F: +423/232 53 93	Neutrik France	FR	T: +33 1/4131 6750	F: +33 1/4131 0511
Neutrik USA Inc.	USA	T: +1 704 / 972 3050	F: +1 704/438 9202	Neutrik Tokyo Ltd.	JP	T: +81 3/3663 4733	F: +81 3/3663 4796
Neutrik (UK) Ltd.	UK	T: +44 1983 / 811 441	F: +44 1983/811 439	Neutrik Hong Kong Ltd.	HK	T: +852/2687 6055	F: +852/2687 6052
Neutrik Vertriebs GmbH	DE/NL/AT/DK	T: +49 8131 / 280 890	F: +49 8131/280 830	Neutrik Trading Ltd.	CN	T: +0574/8825 0833	F: +0574/8826 5000

Draft. Nr.: NCN 006 | Update: 2021-03-12 | Data subject to change without prior notice. © 2021 REAN®. REAN® is registered trademark of Neutrik AG. ALL RIGHTS RESERVED.