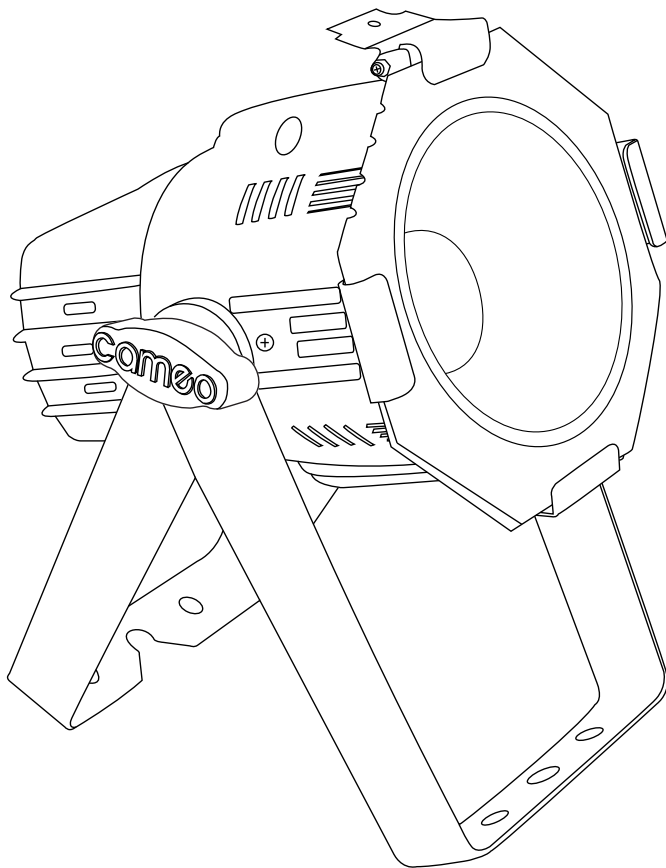


USER'S MANUAL
BEDIENUNGSANLEITUNG
MANUEL D'UTILISATION
MANUAL DE USUARIO
INSTRUKCJA OBSŁUGI
MANUALE D'USO

 **cameo**[®]
colours of light



LED MINI PAR CAN

30W COB LED PAR CAN RGB CLPSTMINICOB30W



ENGLISH

DEUTSCH

FRANCAIS

ESPAÑOL

POLSKI

ITALIANO

Thank you for choosing Cameo Lights!

We have designed this product to give you reliable operation over many years.

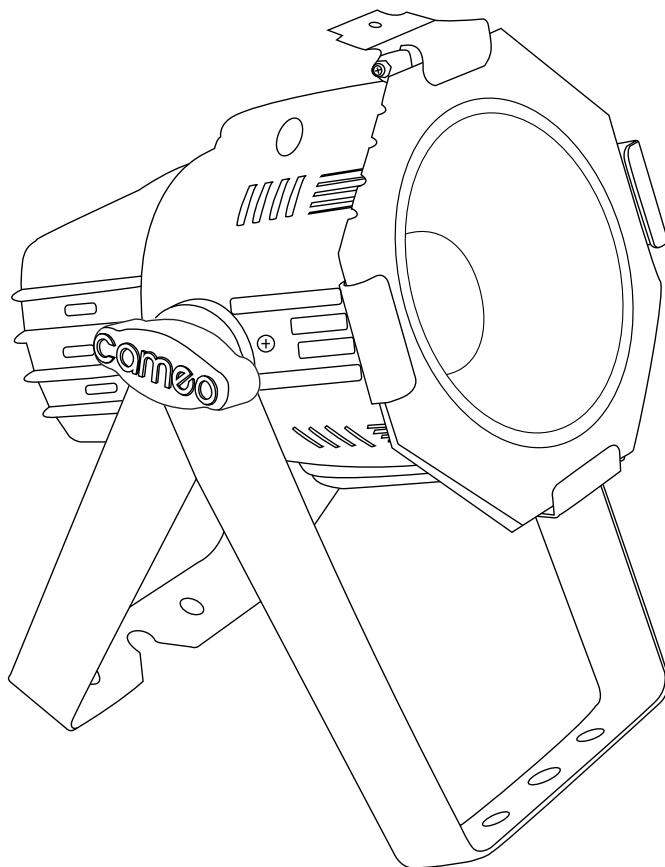
Please, take a few moments to read these instructions carefully, as we want you to enjoy your new Cameo Lights products quickly and to the fullest.

Further information about Cameo Lights check our website WWW.CAMEOLIGHT.COM



LED **MINI** PAR CAN

30W COB LED PAR CAN RGB CLPSTMINICOB30W



ENGLISH

DEUTSCH

FRANCAIS

ESPAÑOL

POLSKI

ITALIANO



PREVENTIVE MEASURES:

1. Please read these instructions carefully.
2. Keep all information and instructions in a safe place.
3. Follow the instructions.
4. Observe all safety warnings. Never remove safety warnings or other information from the equipment.
5. Use the equipment only in the intended manner and for the intended purpose.
6. Use only sufficiently stable and compatible stands and/or mounts (for fixed installations). Make certain that wall mounts are properly installed and secured. Make certain that the equipment is installed securely and cannot fall down.
7. During installation, observe the applicable safety regulations for your country.
8. Never install and operate the equipment near radiators, heat registers, ovens or other sources of heat. Make certain that the equipment is always installed so that it is cooled sufficiently and cannot overheat.
9. Never place sources of ignition, e.g., burning candles, on the equipment.
10. Ventilation slits must not be blocked.
11. Do not use this equipment in the immediate vicinity of water (does not apply to special outdoor equipment - in this case, observe the special instructions noted below. Do not expose this equipment to flammable materials, fluids or gases.
12. Make certain that dripping or splashed water cannot enter the equipment. Do not place containers filled with liquids, such as vases or drinking vessels, on the equipment.
13. Make certain that objects cannot fall into the device.
14. Use this equipment only with the accessories recommended and intended by the manufacturer.
15. Do not open or modify this equipment.
16. After connecting the equipment, check all cables in order to prevent damage or accidents, e.g., due to tripping hazards.
17. During transport, make certain that the equipment cannot fall down and possibly cause property damage and personal injuries.
18. If your equipment is no longer functioning properly, if fluids or objects have gotten inside the equipment or if it has been damaged in another way, switch it off immediately and unplug it from the mains outlet (if it is a powered device). This equipment may only be repaired by authorized, qualified personnel.
19. Clean the equipment using a dry cloth.
20. Comply with all applicable disposal laws in your country. During disposal of packaging, please separate plastic and paper/cardboard.
21. Plastic bags must be kept out of reach of children.

FOR EQUIPMENT THAT CONNECTS TO THE POWER MAINS:

22. CAUTION: If the power cord of the device is equipped with an earthing contact, then it must be connected to an outlet with a protective ground. Never deactivate the protective ground of a power cord.
23. If the equipment has been exposed to strong fluctuations in temperature (for example, after transport), do not switch it on immediately. Moisture and condensation could damage the equipment. Do not switch on the equipment until it has reached room temperature.
24. Before connecting the equipment to the power outlet, first verify that the mains voltage and frequency match the values specified on the equipment. If the equipment has a voltage selection switch, connect the equipment to the power outlet only if the equipment values and the mains power values match. If the included power cord or power adapter does not fit in your wall outlet, contact your electrician.
25. Do not step on the power cord. Make certain that the power cable does not become kinked, especially at the mains outlet and/or power adapter and the equipment connector.
26. When connecting the equipment, make certain that the power cord or power adapter is always freely accessible. Always disconnect the equipment from the power supply if the equipment is not in use or if you want



SAFETY:

ENGLISH

DEUTSCH

FRANCAIS

ESPAÑOL

POLSKI

ITALIANO

to clean the equipment. Always unplug the power cord and power adapter from the power outlet at the plug or adapter and not by pulling on the cord. Never touch the power cord and power adapter with wet hands.

27. Whenever possible, avoid switching the equipment on and off in quick succession because otherwise this can shorten the useful life of the equipment.

28. **IMPORTANT INFORMATION:** Replace fuses only with fuses of the same type and rating. If a fuse blows repeatedly, please contact an authorised service centre.

29. To disconnect the equipment from the power mains completely, unplug the power cord or power adapter from the power outlet.

30. If your device is equipped with a Volex power connector, the mating Volex equipment connector must be unlocked before it can be removed. However, this also means that the equipment can slide and fall down if the power cable is pulled, which can lead to personal injuries and/or other damage. For this reason, always be careful when laying cables.

31. Unplug the power cord and power adapter from the power outlet if there is a risk of a lightning strike or before extended periods of disuse.



CAUTION:

Never remove the cover, because otherwise there may be a risk of electric shock. There are no user serviceable parts inside. Have repairs carried out only by qualified service personnel.



The lightning flash with arrowhead symbol within an equilateral triangle is intended to alert the user to the presence of uninsulated “dangerous voltage” within the product’s enclosure that may be of sufficient magnitude to constitute a risk of electrical shock.



The exclamation mark within an equilateral triangle is intended to alert the user to the presence of important operating and maintenance instructions.

CAUTION! IMPORTANT INFORMATION ABOUT LIGHTING PRODUCTS

1. Do not look into the beam from a distance of less than 40 cm.
2. Do not stare into the beam for extended periods at short-to-medium distances.
3. Do not view the beam directly with optical instruments such as magnifiers.
4. Under some circumstances, stroboscopic effects may trigger epileptic seizures in sensitive individuals! For this reason, persons who suffer from epilepsy should always avoid places where strobe lights are used.

The product has been developed for professional use in the field of event technology and is not suitable as household lighting.



INTRODUCTION:

30W COB LED PAR CAN RGB (CLPSTMINICOB30W/WH)

CONTROL FUNCTIONS:

- 2-channel, 3-channel 1, 3-channel 2, 6-channel DMX control
- Separate control of the colours red, green, and blue

FEATURES:

- 1 bright TRI-colour COB LED (30W)
- Music control via built-in microphone
- Colour change rate and stroboscope effect controllable via control panel
- Multicolour colour change
- Master/slave functionality
- Rugged metal housing
- Power consumption: 15 W
- Long life LED with especially long service life
- Dual bracket

OPERATION:

The highly-efficient Cameo COB LED light with RGB colour mixing stands out because of homogenous colour distribution and DMX-512 controllability. The intensity of the three colour groups (red, green, blue) can be controlled independently of one another, thus permitting an unlimited number of different colours.

The Cameo LED light can be used both individually and in master/slave mode, with music control, and via DMX-512 protocol.

ENGLISH

DEUTSCH

FRANCAIS

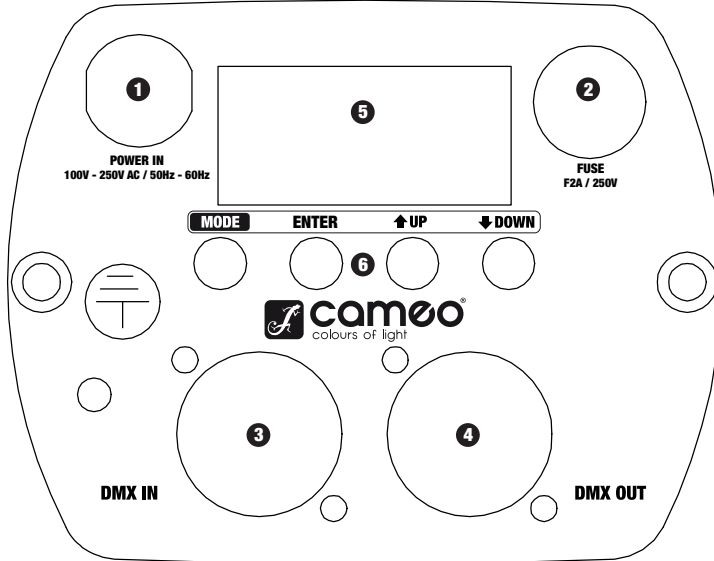
ESPAÑOL

POLSKI

ITALIANO



BACK PANEL:



1 POWER IN

Permanently attached 1 m power cord with Schuko plug

2 FUSE (FUSE HOLDER)

IMPORTANT INFORMATION: Replace the fuse only with a fuse of the same type and rating. If the fuse blows repeatedly, please contact an authorised service centre.

3 DMX IN

3-pole XLR input socket for connection of a DMX controller (e.g., DMX mixer).

4 DMX OUT

3-pole XLR output socket for looping through the DMX control signal.

5 LED DISPLAY

Display of the operating modes and additional system settings.

6 CONTROL BUTTONS

4 easily accessible control buttons let you configure the system.

ENGLISH

DEUTSCH

FRANCAIS

ESPAÑOL

POLSKI

ITALIANO



OPERATION:

STATIC COLOUR

Press the MODE button repeatedly until "C000" appears in the display. Press ENTER and then use the UP and DOWN buttons to select the desired colour or the stroboscopic effect ("C1" = red, "C2" = green, "C3" = blue, "CF" = stroboscopic effect). The last two numerals stand for the brightness (00 - 99) and, in "CF" mode, for the stroboscope speed. For example: If you set C1, C2, and C3 to "00", all LEDs in the light are off (blackout). If you set C1 to "99" and C2 and C3 to "00", then the light shines 100% red.



MODE ENTER ↑UP ↓DOWN

COLOUR CHANGE

Press the MODE button repeatedly until "JU00" appears in the display. Now the light is in colour change mode. Afterwards, press ENTER and then use the UP and DOWN buttons to select the function 7 colours "JU00" or stroboscope "JF00". To set the colour change and stroboscope rate (00 - 99), press ENTER again and then use the UP and DOWN buttons to change the values. To confirm, press ENTER again.

Note: Both functions can also be used simultaneously.



MODE ENTER ↑UP ↓DOWN

7 COLOURS

Rate 00 - 99



MODE ENTER ↑UP ↓DOWN

STROBE

Rate 00 - 99



MODE ENTER ↑UP ↓DOWN



OPERATION:

COLOUR BLENDING

Press the MODE button repeatedly until "FA00" appears in the display. Now the light is in colour blending mode. Afterwards, press ENTER and then use the UP and DOWN buttons to select the function 7 colours "FA00" or stroboscope "FF00". To set the colour blending and stroboscope rate (00 - 99), press ENTER again and then use the UP and DOWN buttons to change the values. Press ENTER again to confirm.

Note: Both functions can also be used simultaneously.

7 COLOURS

Rate 00 - 99

STROBE

Rate 00 - 99



MODE ENTER ↑UP ↓DOWN



MODE ENTER ↑UP ↓DOWN



MODE ENTER ↑UP ↓DOWN

AUTO MODE

Press the MODE button repeatedly until "AUTO" appears in the display. In this operating mode, the light switches automatically between colour change and colour blending mode. The colour change and/or colour blending rate is determined by the settings of the respective mode.



MODE ENTER ↑UP ↓DOWN

SLAVE MODE

Press the MODE button repeatedly until "SLAV" appears in the display. Connect the slave and the master unit with a DMX cable. Now the slave unit follows the master unit. Confirm with ENTER.



MODE ENTER ↑UP ↓DOWN

ENGLISH

DEUTSCH

FRANCAIS

ESPAÑOL

POLSKI

ITALIANO



OPERATION:

MUSIC CONTROL

Press the MODE button repeatedly until "SU00" appears in the display. Now the light is controlled by the built-in microphone and follows the beat of the music. Now press the ENTER button again and use the UP and DOWN buttons to set the sensitivity of the microphone (0 - 99). Confirm with ENTER.



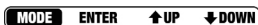
SELECTING DMX MODE

Press the MODE button repeatedly until one of the four modes appears in the display (2Ch, 3Ch1, 3Ch2, 6Ch). Press ENTER and use the UP and DOWN buttons to select the desired DMX mode. Confirm with ENTER.



SELECTING THE DMX ADDRESS

Press the MODE button repeatedly until "A" and 3 additional characters appear in the display. Press ENTER to use the UP and DOWN buttons to select the desired DMX start address (A001 - A512). Confirm with ENTER. Note: In order to be able to use the light in DMX mode, the DMX start address mode must be set.



NOTE

Unless one of the 4 buttons is pressed, the LED display switches off automatically after approx. 20 seconds. As soon as one of the four buttons is pressed, the display switches on again.

REMARK

To attain a concentration of the light beam from 55° to 40°, insert the included lens in the mount provided for this purpose.



DMX CONTROL:

ENGLISH

DEUTSCH

FRANCAIS

ESPAÑOL

POLSKI

ITALIANO

2-CHANNEL MODE		
CHANNEL	VALUE	FUNCTION
CH1	000 - 255	Master dimmer (0 - 100%)
CH2	000 - 255	Colour macro
	000 - 031	Blackout
	032 - 063	Red
	064 - 095	Green
	096 - 127	Blue
	128 - 159	Yellow
	160 - 191	Cyan
	192 - 223	Magenta
	224 - 255	White
000 - 255	Colour (change) macro	

3-CHANNEL MODE 1		
CHANNEL	VALUE	FUNCTION
CH1	000 - 255	Master dimmer (0 - 100%)
CH2	000 - 255	Stroboscope (rate 0 - 100%)
CH3	000 - 004	Blackout
	005 - 080	Colour macro (red, green, blue, yellow, cyan, magenta, white)
	081 - 150	Colour change (rate)
	151 - 220	Colour blending (rate)
	221 - 255	Music control (microphone sensitivity)



DMX MODE:

3-CHANNEL MODE 2

CHANNEL	VALUE	FUNCTION
CH1	000 - 255	Red (0 - 100%)
CH2	000 - 255	Green (0 - 100%)
CH3	000 - 255	Blue (0 - 100%)

6-CHANNEL MODE

CHANNEL	VALUE	FUNCTION
CH1	000 - 255	Master dimmer (0 - 100%)
CH2	000 - 255	Stroboscope (rate 0 - 100%)
CH3	000 - 255	Red (0 - 100%)
CH4	000 - 255	Green (0 - 100%)
CH5	000 - 255	Blue (0 - 100%)
CH6	000 - 004	Blackout
	005 - 080	Colour macro (red, green, blue, yellow, cyan, magenta, white)
	081 - 150	Colour change (rate)
	151 - 220	Colour blending (rate)
	221 - 255	Music control (microphone sensitivity)

ENGLISH

DEUTSCH

FRANÇAIS

ESPAÑOL

POLSKI

ITALIANO



DMX CONNECTION:

DMX-512

DMX (Digital Multiplex) is the name of a universal transmission protocol for communication between corresponding devices and controllers. A DMX controller sends DMX data to the connected DMX device(s). The DMX data is always transmitted as a serial data stream that is forwarded from one connected device to the next via the "DMX IN" and "DMX OUT" connectors (XLR plug-type connectors) that are found on every DMX-capable device. (Most controllers only have a DMX output.)

DMX CONNECTION:

DMX is the common "language" via which a very wide range of types and models of equipment from various manufacturers can be connected with one another and controlled via a central controller, provided that all of the devices and the controller are DMX-compatible. For optimum data transmission, it is necessary to keep the connecting cables between the individual devices as short as possible. The order in which the devices are integrated in the DMX network has no influence on addressing. Thus the device with the DMX address 1 can be located at any position in the (serial) DMX chain: at the beginning, at the end or somewhere in the middle. If the DMX address 1 is assigned to a device, the controller "knows" that it should send all data allocated to address 1 to this device regardless of its position in the DMX network.



The Adam Hall 3 STAR, 4 STAR, and 5 STAR product ranges include an extensive selection of suitable cables.

SERIAL CONNECTION OF MULTIPLE LIGHTS

- 1.) Connect the male 3-pole XLR connector of the DMX cable to the DMX output (female 3-pole socket) of the first light or other DMX device.
- 2.) Connect the female 3-pole XLR connector of the DMX cable connected to the first light to the DMX input (male 3-pole socket) of the next DMX device. In like manner, connect the DMX output of this device to the DMX input of the next device and repeat until all devices have been connected.

Please note that as a rule, DMX devices are connected in series and connections cannot be shared without active splitters.

ENGLISH

DEUTSCH

FRANCAIS

ESPAÑOL

POLSKI

ITALIANO

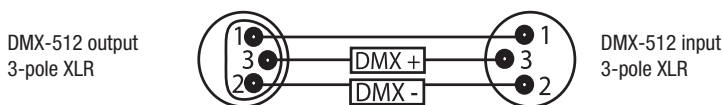


DMX CABLE:

NOTE:

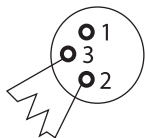
• When fabricating your own cables, always observe the illustrations on this page. Never connect the shielding of the cable to the ground contact of the plug, and always make certain that the shielding does not come into contact with the housing of the XLR plug. If the shielding is connected to ground, this can lead to short-circuiting and system malfunctions.

Usual connection



PLEASE NOTE: TERMINATION:

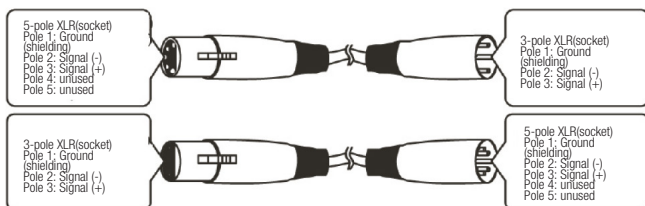
• With extended cable runs, the last device in the chain may require a terminating resistor in order to prevent system malfunctions.



Use of a terminating resistor (termination) reduces interference and other problems during signal transmission. It is always advisable to connect a DMX termination module (resistance 120 ohms, 1/4 W) between pole 2 (DMX-) and pole 3 (DMX+) of the last device in the chain.

This is achieved by using a cable terminator module (Product No. K3DMXT3).

• Some manufacturers use 5-pole versions for data transmission instead of 3-pole XLR plugs. However, devices with 5-pole XLR connectors can also be integrated in a DMX network with 3-pole XLR connectors. In this case, a suitable cable adapter is required. The following illustration shows the correct pin-out of the corresponding plugs.





SPECIFICATIONS:

ENGLISH

DEUTSCH

FRANCAIS

ESPAÑOL

POLSKI

ITALIANO

Model name:	CLPSTMINICOB30W
Product type:	LED PAR can
Type:	Studio mini PAR
Colour spectrum:	RGB
Number of LEDs:	1
LED type:	30 W COB
Beam angle:	55° (40° with lens)
DMX input:	3-pole XLR male
DMX connector:	3-pole XLR female
DMX mode:	2-channel, 3-channel1, 3-channel2, 6-channel
DMX functions:	Master dimmer, colour change, colour blending, music control, stroboscope, RGB
Stand-alone functions:	Colour change, colour blending, auto mode, music control, stroboscope, static colours, master/slave operation
Controls:	Mode, Enter, Up, Down
Indicators:	4-character LED display
Operating voltage:	100 - 250 V AC / 50 - 60 Hz
Power consumption:	15 W
Power connector:	1 m power cable with Schuko plug
Housing material:	metal
Housing colour:	black (CLPSTMINICOB30W) white (CLPSTMINICOB30WWH)
Cooling system:	Fan
Dimensions (W x H x D, excluding bracket):	168 x 183 x 186
Weight:	2 kg
Other features:	Dual bracket and filter holder with lens included



MANUFACTURER'S DECLARATIONS:

MANUFACTURER'S WARRANTY

This warranty covers the Adam Hall, LD Systems, Defender, Palmer, and Cameo brands. It applies to all products distributed by Adam Hall.

This warranty declaration does not affect the statutory warranty claims against the manufacturer, but expands them with additional warranty claims vis-a-vis Adam Hall.

Adam Hall warrants that the Adam Hall product that you have purchased from Adam Hall or from an Adam Hall authorized reseller is free from defects in materials or workmanship under normal use for a period of 2 or 5 years (please inquire on a product-by-product basis) from the date of purchase.

The warranty period begins on the date on which the product was purchased, proof of which must be produced (through presentation of the invoice or the delivery note with the date of purchase) in the event of a warranty claim. Should products of the brands named above be in need of repair within the limited warranty period, you are entitled to warranty service according to the terms and conditions stated here.

During the Limited Warranty Period, Adam Hall will repair or replace the defective component parts or the product. In the event of repair or replacement during the Limited Warranty Period, the replaced original parts and/or products become property of Adam Hall.

In the unlikely event that the product which you purchased has a recurring failure, Adam Hall has the right, at its discretion, to replace the defective product with another product, provided that the new product is at least equivalent to the product being replaced with regard to the technical specifications.

Adam Hall does not warrant that the operation of this product will be uninterrupted or error-free. Adam Hall is not responsible for damage that occurs as a result of your failure to follow the instructions included with the Adam Hall branded product. The manufacturer's warranty does not cover – expendable parts (e. g., rechargeable batteries)

- products from which the serial number has been removed or with a serial number that has been damaged as a result of an accident - damage due to improper use, user error or other external reasons
- damage to devices operated outside the usage parameters stated in the documentation included with the product
- damage due to the use of replacement parts not manufactured, sold or recommended by Adam Hall,
- damage due to modification or servicing by anyone other than Adam Hall.

These terms and conditions constitute the complete and exclusive warranty agreement between you and Adam Hall regarding the Adam Hall branded product you have purchased.

ENGLISH

DEUTSCH

FRANÇAIS

ESPAÑOL

POLSKI

ITALIANO



MANUFACTURER'S DECLARATIONS:

LIMITATION OF LIABILITY

If your Adam Hall branded hardware product fails to work as warranted above, your sole and exclusive remedy shall be repair or replacement. Adam Halls' maximum liability under this limited warranty is expressly limited to the lesser of the price you have paid for the product or the cost of repair or replacement of any components that malfunction under conditions of normal use.

Adam Hall is not liable for any damages caused by the product or the failure of the product, including any lost profits or savings or special, incidental, or consequential damages. Adam Hall is not liable for any claim made by a third party or made by you for a third party.

This limitation of liability applies whether damages are sought, or claims are made, under this Limited Warranty or as a tort claim (including negligence and strict product liability), a contract claim, or any other claim, and cannot be rescinded or changed by anyone. This limitation of liability will be effective even if you have advised Adam Hall or an authorized representative of Adam Hall of the possibility of any such damages, but not, however, in the event of claims for damages in connection with personal injuries.

This manufacturer's warranty grants you specific rights; depending on jurisdiction (nation or state), you may be entitled to additional claims. You are advised to consult applicable state or national laws for a full determination of your rights.

REQUESTING WARRANTY SERVICE

To request warranty service for the product, contact Adam Hall or the Adam Hall authorized reseller from which you purchased the product.

EC DECLARATION OF CONFORMITY

The equipment marketed by Adam Hall complies (where applicable) with the essential requirements and other relevant specifications of Directives 1999/5/EC (R&TTE), 2004/108/EC (EMC) und 2006/95/EC (LVD). Additional information can be found at www.adamhall.com.

ENGLISH

DEUTSCH

FRANCAIS

ESPAÑOL

POLSKI

ITALIANO



MANUFACTURER'S DECLARATIONS:

ENGLISH

PROPER DISPOSAL OF THIS PRODUCT

(Valid in the European Union and other European countries with waste separation)



This symbol on the product, or the documents accompanying the product, indicates that this appliance may not be treated as household waste. This is to avoid environmental damage or personal injury due to uncontrolled waste disposal. Please dispose of this product separately from other waste and have it recycled to promote sustainable economic activity.

Household users should contact either the retailer where they purchased this product, or their local government office, for details on where and how they can recycle this item in an environmentally friendly manner. Business users should contact their supplier and check the terms and conditions of the purchase contract. This product should not be mixed with other commercial wastes for disposal .

ENVIRONMENTAL PROTECTION AND ENERGY CONSERVATION

Energy conservation is an active contribution to environmental protection. Please turn off all unneeded electrical devices. To prevent unneeded devices from consuming power in standby mode, disconnect the mains plug.

DEUTSCH

FRANCAIS

ESPAÑOL

POLSKI

ITALIANO

Adam Hall GmbH, all rights reserved. The technical data and the functional product characteristics can be subject to modifications. The photocopying, the translation, and all other forms of copying of fragments or of the integrity of this user's manual is prohibited.



ENGLISH

DEUTSCH

FRANCAIS

ESPAÑOL

POLSKI

ITALIANO



ENGLISH

DEUTSCH

FRANCAIS

ESPAÑOL

POLSKI

ITALIANO

Wir freuen uns, dass Sie sich für ein Produkt von Cameo Light entschieden haben!

Dieses Gerät wurde unter hohen Qualitätsanforderungen entwickelt und gefertigt, um viele Jahre einen reibungslosen Betrieb zu gewährleisten.

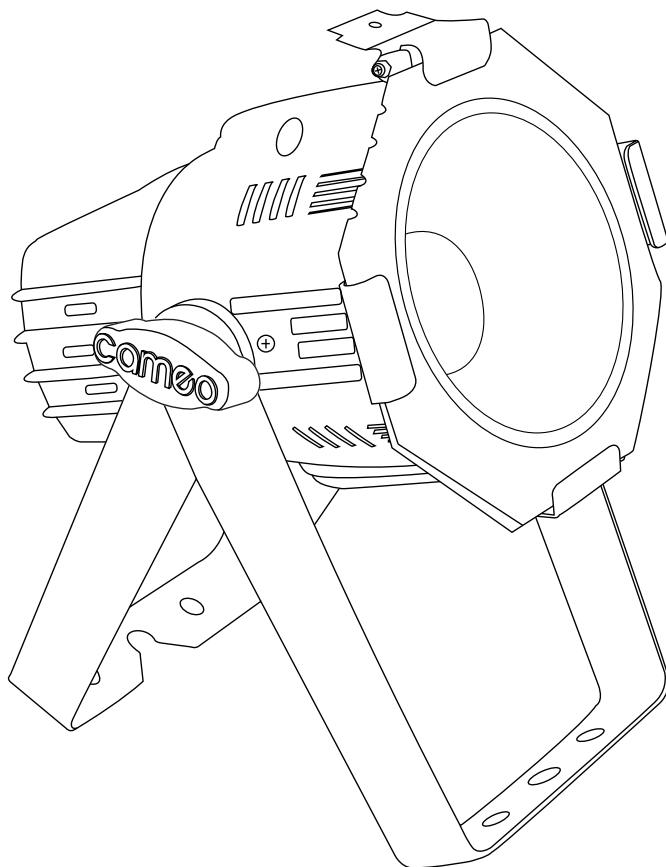
Bitte lesen Sie diese Bedienungsanleitung sorgfältig, damit Sie Ihren neuen Scheinwerfer von Cameo Light schnell optimal einsetzen können.

Weitere Informationen über Cameo Light erhalten Sie auf unserer Website WWW.CAMEOLIGHT.COM.



LED **MINI** PAR CAN

30W COB LED PAR CAN RGB CLPSTMINICOB30W



ENGLISH

DEUTSCH

FRANCAIS

ESPAÑOL

POLSKI

ITALIANO



SICHERHEITSHINWEISE:

1. Lesen Sie diese Anleitung bitte sorgfältig durch.
2. Bewahren Sie alle Informationen und Anleitungen an einem sicheren Ort auf.
3. Befolgen Sie die Anweisungen.
4. Beachten Sie alle Warnhinweise. Entfernen Sie keine Sicherheitshinweise oder andere Informationen vom Gerät.
5. Verwenden Sie das Gerät nur in der vorgesehenen Art und Weise.
6. Verwenden Sie ausschließlich stabile und passende Stative bzw. Befestigungen (bei Festinstallationen). Stellen Sie sicher, dass Wandhalterungen ordnungsgemäß installiert und gesichert sind. Stellen Sie sicher, dass das Gerät sicher installiert ist und nicht herunterfallen kann.
7. Beachten Sie bei der Installation die für Ihr Land geltenden Sicherheitsvorschriften.
8. Installieren und betreiben Sie das Gerät nicht in der Nähe von Heizkörpern, Wärmespeichern, Öfen oder sonstigen Wärmequellen. Sorgen Sie dafür, dass das Gerät immer so installiert ist, dass es ausreichend gekühlt wird und nicht überhitzen kann.
9. Platzieren Sie keine Zündquellen wie z.B. brennende Kerzen auf dem Gerät.
10. Lüftungsschlitze dürfen nicht blockiert werden.
11. Betreiben Sie das Gerät nicht in unmittelbarer Nähe von Wasser (gilt nicht für spezielle Outdoor Geräte - beachten Sie in diesem Fall bitte die im Folgenden vermerkten Sonderhinweise). Bringen Sie das Gerät nicht mit brennbaren Materialien, Flüssigkeiten oder Gasen in Berührung.
12. Sorgen Sie dafür, dass kein Tropf- oder Spritzwasser in das Gerät eindringen kann. Stellen Sie keine mit Flüssigkeit gefüllten Behältnisse wie Vasen oder Trinkgefäße auf das Gerät.
13. Sorgen Sie dafür, dass keine Gegenstände in das Gerät fallen können.
14. Betreiben Sie das Gerät nur mit dem vom Hersteller empfohlenen und vorgesehenen Zubehör.
15. Öffnen Sie das Gerät nicht und verändern Sie es nicht.
16. Überprüfen Sie nach dem Anschluss des Geräts alle Kabelwege, um Schäden oder Unfälle, z. B. durch Stolperfallen zu vermeiden.
17. Achten Sie beim Transport darauf, dass das Gerät nicht herunterfallen und dabei möglicherweise Sach- und Personenschäden verursachen kann.
18. Wenn Ihr Gerät nicht mehr ordnungsgemäß funktioniert, Flüssigkeiten oder Gegenstände in das Geräterinnere gelangt sind, oder das Gerät anderweitig beschädigt wurde, schalten Sie es sofort aus und trennen es von der Netzsteckdose (sofern es sich um ein aktives Gerät handelt). Dieses Gerät darf nur von autorisiertem Fachpersonal repariert werden.
19. Verwenden Sie zur Reinigung des Geräts ein trockenes Tuch.
20. Beachten Sie alle in Ihrem Land geltenden Entsorgungsgesetze. Trennen Sie bei der Entsorgung der Verpackung bitte Kunststoff und Papier bzw. Kartonagen voneinander.
21. Kunststoffbeutel müssen außer Reichweite von Kindern aufbewahrt werden.

BEI GERÄTEN MIT NETZANSCHLUSS:

22. ACHTUNG: Wenn das Netzkabel des Geräts mit einem Schutzkontakt ausgestattet ist, muss es an einer Steckdose mit Schutzleiter angeschlossen werden. Deaktivieren Sie niemals den Schutzleiter eines Netzkabels.
23. Schalten Sie das Gerät nicht sofort ein, wenn es starken Temperaturschwankungen ausgesetzt war (beispielsweise nach dem Transport). Feuchtigkeit und Kondensat könnten das Gerät beschädigen. Schalten Sie das Gerät erst ein, wenn es Zimmertemperatur erreicht hat.
24. Bevor Sie das Gerät an die Steckdose anschließen, prüfen Sie zuerst, ob die Spannung und die Frequenz des Stromnetzes mit den auf dem Gerät angegebenen Werten übereinstimmen. Verfügt das Gerät über einen Spannungswahlschalter, schließen Sie das Gerät nur an die Steckdose an, wenn die Geräterwerte mit den Werten des Stromnetzes übereinstimmen. Wenn das mitgelieferte Netzkabel bzw. der mitgelieferte Netzadapter nicht in Ihre Netzsteckdose passt, wenden Sie sich an Ihren Elektriker.



SICHERHEITSHINWEISE:

25. Treten Sie nicht auf das Netzkabel. Sorgen Sie dafür, dass spannungsführende Kabel speziell an der Netzbuchse bzw. am Netzadapter und der Gerätebuchse nicht geknickt werden.

26. Achten Sie bei der Verkabelung des Geräts immer darauf, dass das Netzkabel bzw. der Netzadapter stets frei zugänglich ist. Trennen Sie das Gerät stets von der Stromzuführung, wenn das Gerät nicht benutzt wird, oder Sie das Gerät reinigen möchten. Ziehen Sie Netzkabel und Netzadapter immer am Stecker bzw. am Adapter und nicht am Kabel aus der Steckdose. Berühren Sie Netzkabel und Netzadapter niemals mit nassen Händen.

27. Schalten Sie das Gerät möglichst nicht schnell hintereinander ein und aus, da sonst die Lebensdauer des Geräts beeinträchtigt werden könnte.

28. WICHTIGER HINWEIS: Ersetzen Sie Sicherungen ausschließlich durch Sicherungen des gleichen Typs und Wertes. Sollte eine Sicherung wiederholt auslösen, wenden Sie sich bitte an ein autorisiertes Servicezentrum.

29. Um das Gerät vollständig vom Stromnetz zu trennen, entfernen Sie das Netzkabel bzw. den Netzadapter aus der Steckdose.

30. Wenn Ihr Gerät mit einem Volex-Netzanschluss bestückt ist, muss der passende Volex-Gerätestecker entsperrt werden, bevor er entfernt werden kann. Das bedeutet aber auch, dass das Gerät durch ein Ziehen am Netzkabel verrutschen und herunterfallen kann, wodurch Personen verletzt werden und/oder andere Schäden auftreten können. Verlegen Sie Ihre Kabel daher immer sorgfältig.

31. Entfernen Sie Netzkabel und Netzadapter aus der Steckdose bei Gefahr eines Blitzschlags oder wenn Sie das Gerät länger nicht verwenden.



ACHTUNG:

Entfernen Sie niemals die Abdeckung, da sonst das Risiko eines elektrischen Schlages besteht. Im Inneren des Geräts befinden sich keine Teile, die vom Bediener repariert oder gewartet werden können. Lassen Sie Reparaturen ausschließlich von qualifiziertem Servicepersonal durchführen.



Das gleichschenkelige Dreieck mit Blitzsymbol warnt vor nichtisolierten, gefährlichen Spannungen im Geräteinneren, die einen elektrischen Schlag verursachen können.



Das gleichschenkelige Dreieck mit Ausrufungszeichen kennzeichnet wichtige Bedienungs- und Wartungshinweise.

VORSICHT! WICHTIGE HINWEISE IN BEZUG AUF LICHT-PRODUKTE

1. Blicken Sie nicht aus Entfernungen von unter 40 cm in den Lichtstrahl.
2. Blicken Sie niemals längere Zeit aus kurzem bis mittlerem Abstand in den Lichtstrahl.
3. Blicken Sie niemals mit optischen Geräten wie Vergrößerungsgläsern in den Lichtstrahl.
4. Stoboskopeffekte können unter Umständen bei empfindlichen Menschen epileptische Anfälle auslösen! Epileptiker sollten daher unbedingt Orte meiden, an denen Stroboskope eingesetzt werden.

Das Produkt ist für den professionellen Einsatz im Bereich der Veranstaltungstechnik entwickelt worden und ist nicht für die Raumbeleuchtung in Haushalten geeignet.

ENGLISH

DEUTSCH

FRANCAIS

ESPAÑOL

POLSKI

ITALIANO



EINFÜHRUNG:

30W COB LED PAR CAN RGB (CLPSTMINICOB30W/WH)

STEUERUNGSFUNKTIONEN:

- 2-Kanal, 3-Kanal 1, 3-Kanal 2, 6-Kanal DMX-Steuerung
- Separate Steuerung der Farben Rot, Grün und Blau

EIGENSCHAFTEN:

- 1 leuchtstarke TRI-Colour COB LED (30W)
- Musiksteuerung über eingebautes Mikrofon
- Farbwechselgeschwindigkeit und Stroboskopeffekt über Bedienpanel steuerbar
- Multicolor-Farbwechsel
- Master/Slave-Funktionalität
- Robustes Metallgehäuse
- Leistungsaufnahme: 15 W
- Longlife-LED mit besonders langer Lebensdauer
- Doppelhalterung

BEDIENUNG:

Der hocheffiziente Cameo COB LED-Strahler mit RGB-Farbmischung zeichnet sich durch eine gleichmäßige Farbverteilung und DMX-512 Steuerbarkeit aus. Die Intensität der drei Farbgruppen (rot, grün, blau) kann unabhängig voneinander gesteuert werden und ermöglicht auf diese Weise eine unbegrenzte Zahl unterschiedlicher Farben. Der Cameo LED-Strahler lässt sich sowohl einzeln als auch im Master/Slave-Betrieb, per Musiksteuerung und via DMX-512-Protokoll betreiben.

ENGLISH

DEUTSCH

FRANCAIS

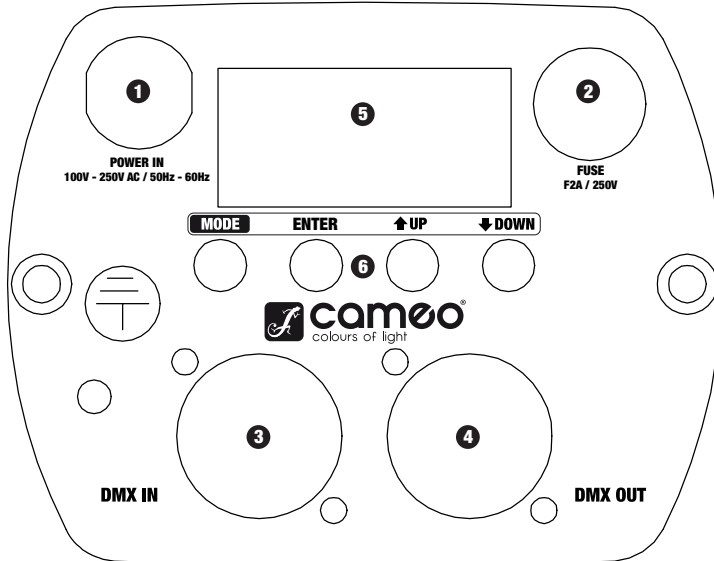
ESPAÑOL

POLSKI

ITALIANO



RÜCKSEITE:



ENGLISH

DEUTSCH

FRANCAIS

ESPAÑOL

POLSKI

ITALIANO

1 POWER IN

Fest verbundenes 1 m Netzkabel mit Schuko-Stecker

2 FUSE (SICHERUNGSHALTER)

WICHTIGER HINWEIS: Ersetzen Sie die Sicherung ausschließlich durch eine Sicherung des gleichen Typs und mit gleichen Werten. Sollte die Sicherung wiederholt auslösen, wenden Sie sich bitte an ein autorisiertes Servicezentrum.

3 DMX IN

3-polige XLR-Eingangsbuchse zum Anschließen eines DMX-Kontrollgerätes (z.B. DMX-Mischpult).

4 DMX OUT

3-polige XLR-Ausgangsbuchse zum Weiterleiten des DMX-Steuersignals.

5 LED-DISPLAY

Anzeige der Betriebsarten und weiterer Systemeinstellungen.

6 BEDIENTASTEN

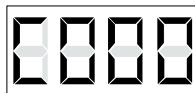
4 leicht zugängliche Bedientasten ermöglichen es, Systemeinstellungen vorzunehmen.



BEDIENUNG:

STATISCHE FARBE

Drücken Sie die MODE-Taste so oft, bis im Display "C000" erscheint. Drücken Sie ENTER und wählen anschließend mittels der Tasten UP und DOWN die gewünschte Farbe, oder den Stroboskopeffekt aus ("C1" = Rot, "C2" = Grün, "C3" = Blau, "CF" = Stroboskopeffekt). Die beiden folgenden Ziffern stehen für die Helligkeit (00 - 99) und im "CF"-Modus für die Stroboskopgeschwindigkeit. Beispiele: Wenn Sie C1, C2 und C3 auf "00" setzen, sind alle LEDs des Scheinwerfers aus (Blackout). Wenn Sie C1 auf "99" und C2 und C3 auf "00" setzen, leuchtet der Scheinwerfer zu 100% rot.



MODE ENTER ↑ UP ↓ DOWN

FARBWECHSEL

Drücken Sie die MODE-Taste so oft, bis im Display „JU00“ erscheint. Der Scheinwerfer arbeitet nun im Farbwechsel-Betrieb. Drücken Sie anschließend auf ENTER um dann mittels der Tasten UP und DOWN die Funktion 7 Farben „JU00“, oder Stroboskop „JF00“ auszuwählen. Die Farbwechsel- und Stroboskopgeschwindigkeit (00 - 99) stellen Sie ein, indem Sie nochmals auf ENTER drücken und dann mit Hilfe der UP und DOWN Tasten die Werte verändern. Zum Bestätigen nochmals ENTER drücken.

Hinweis: Beide Funktionen können auch simultan genutzt werden.



MODE ENTER ↑ UP ↓ DOWN

7 FARBEN

Geschwindigkeit 00 - 99



MODE ENTER ↑ UP ↓ DOWN

STROBE

Geschwindigkeit 00 - 99



MODE ENTER ↑ UP ↓ DOWN

ENGLISH

DEUTSCH

FRANCAIS

ESPAÑOL

POLSKI

ITALIANO



BEDIENUNG:

FARBÜBERBLENDEN

Drücken Sie die MODE-Taste so oft, bis im Display „FA00“ erscheint. Der Scheinwerfer arbeitet nun im Farbüberblendungsmodus. Drücken Sie anschließend auf ENTER um dann mittels der Tasten UP und DOWN die Funktion 7 Farben „FA00“, oder Stroboskop „FF00“ auszuwählen. Die Farbüberblendungs- und Stroboskopgeschwindigkeit (00 - 99) stellen Sie ein, indem Sie nochmals auf ENTER drücken und dann mit Hilfe der UP und DOWN Tasten die Werte verändern. Zum Bestätigen nochmals ENTER drücken.

Hinweis: Beide Funktionen können auch simultan genutzt werden.

7 FARBEN

Geschwindigkeit 00 - 99

STROBE

Geschwindigkeit 00 - 99



MODE ENTER ↑UP ↓DOWN



MODE ENTER ↑UP ↓DOWN



MODE ENTER ↑UP ↓DOWN

AUTO-MODUS

Drücken Sie die MODE-Taste so oft, bis im Display „AUTO“ erscheint. In dieser Betriebsart wird automatisch zwischen Farbwechsel- und Farbüberblenden-Modus gewechselt. Die Farbwechsel- bzw. Überblendgeschwindigkeit wird über die Einstellungen des jeweiligen Modus festgelegt.



MODE ENTER ↑UP ↓DOWN

SLAVE-MODUS

Drücken Sie die MODE-Taste so oft, bis im Display „SLAV“ erscheint. Verbinden Sie die Slave- und die Master-Einheit mit einem DMX-Kabel. Nun folgt die Slave-Einheit der Master-Einheit. Bestätigen Sie mit ENTER.



MODE ENTER ↑UP ↓DOWN

ENGLISH

DEUTSCH

FRANCAIS

ESPAÑOL

POLSKI

ITALIANO



BEDIENUNG:

MUSIKSTEUERUNG

Drücken Sie die MODE-Taste so oft, bis im Display „SU00“ erscheint. Nun wird der Scheinwerfer über das eingebaute Mikrofon gesteuert und folgt dem Takt der Musik. Drücken Sie erneut die ENTER-Taste und stellen Sie mit den Tasten UP und DOWN die Empfindlichkeit des Mikrofons (00 - 99) ein. Bestätigen Sie mit ENTER.



AUSWAHL DMX-MODUS

Drücken Sie die MODE-Taste so oft, bis im Display einer der vier DMX-Modi erscheint (2Ch, 3Ch1, 3Ch2, 6Ch). Drücken Sie ENTER und wählen Sie mit Hilfe der Tasten UP und DOWN den gewünschten DMX-Modus aus. Bestätigen Sie mit ENTER.



DMX-ADRESSE EINSTELLEN

Drücken Sie die MODE-Taste so oft, bis im Display „A“ und 3 weitere Ziffern erscheinen. Drücken Sie ENTER, um mit Hilfe der Tasten UP und DOWN die gewünschte DMX-Startadresse (A001 - A512) auszuwählen. Bestätigen Sie mit ENTER.

Hinweis: Um den Scheinwerfer im DMX-Modus betreiben zu können, muss der DMX-Startadressen-Modus eingestellt sein.



HINWEIS

Ohne, dass eine der 4 Tasten betätigt wird, schaltet sich das LED-Display nach circa 20 Sekunden automatisch ab. Sobald eine der vier Tasten betätigt wird, schaltet sich das Display wieder ein.

BEMERKUNG

Um eine Bündelung des Lichtstrahls von 55° auf 40° zu erzielen, setzen Sie die mitgelieferte Linse in die dafür vorgesehene Halterung ein.



DMX STEUERUNG:

ENGLISH

DEUTSCH

FRANCAIS

ESPAÑOL

POLSKI

ITALIANO

2-KANAL-MODUS		
KANAL	WERT	FUNKTION
CH1	000 - 255	Master-Dimmer (0 - 100%)
CH2	000 - 255	Farb-Makro
	000 - 031	Blackout
	032 - 063	Rot
	064 - 095	Grün
	096 - 127	Blau
	128 - 159	Gelb
	160 - 191	Cyan
	192 - 223	Magenta
	224 - 255	Weiß
000 - 255	Farb(wechsel)-Makro	

3-KANAL-MODUS 1		
KANAL	WERT	FUNKTION
CH1	000 - 255	Master-Dimmer (0 - 100%)
CH2	000 - 255	Stroboskop (Geschwindigkeit 0 - 100%)
CH3	000 - 004	Blackout
	005 - 080	Farb-Makro (Rot, Grün, Blau, Gelb, Cyan, Magenta, Weiß)
	081 - 150	Farbwechsel (Geschwindigkeit)
	151 - 220	Farbüberblenden (Geschwindigkeit)
	221 - 255	Musiksteuerung (Mikrofonempfindlichkeit)



DMX MODUS:

3-KANAL-MODUS 2

KANAL	WERT	FUNKTION
CH1	000 - 255	Rot (0 - 100%)
CH2	000 - 255	Grün (0 - 100%)
CH3	000 - 255	Blau (0 - 100%)

6-KANAL-MODUS

KANAL	WERT	FUNKTION
CH1	000 - 255	Master-Dimmer (0 - 100%)
CH2	000 - 255	Stroboskop (Geschwindigkeit 0 - 100%)
CH3	000 - 255	Rot (0 - 100%)
CH4	000 - 255	Grün (0 - 100%)
CH5	000 - 255	Blau (0 - 100%)
CH6	000 - 004	Blackout
	005 - 080	Farb-Makro (Rot, Grün, Blau, Gelb, Cyan, Magenta, Weiß)
	081 - 150	Farbwechsel (Geschwindigkeit)
	151 - 220	Farbüberblenden (Geschwindigkeit)
	221 - 255	Musiksteuerung (Mikrofonempfindlichkeit)

ENGLISH

DEUTSCH

FRANÇAIS

ESPAÑOL

POLSKI

ITALIANO



DMX VERBINDUNG:

DMX-512

DMX (Digital Multiplex) ist die Bezeichnung für ein universelles Übertragungsprotokoll für die Kommunikation zwischen entsprechenden Geräten und Controllern. Ein DMX-Controller sendet DMX-Daten an das/ die angeschlossene(n) DMX-Gerät(e). Die DMX-Datenübertragung erfolgt stets als serieller Datenstrom, der über die an jedem DMX-fähigen Gerät vorhandenen „DMX IN“- und „DMX OUT“-Anschlüsse (XLR-Steckverbinder) von einem angeschlossenen Gerät an das nächste weitergeleitet wird. (Die meisten Controller verfügen lediglich über einen DMX-Ausgang.)

DMX-VERBINDUNG:

DMX ist die gemeinsame "Sprache", über die sich die unterschiedlichsten Gerätetypen und Modelle verschiedener Hersteller miteinander verkoppeln und über einen zentralen Controller steuern lassen, sofern sämtliche Geräte und der Controller DMX-kompatibel sind. Für eine optimale Datenübertragung ist es erforderlich, die Verbindungskabel zwischen den einzelnen Geräten so kurz wie möglich zu halten. Die Reihenfolge, in der die Geräte in das DMX-Netzwerk eingebunden sind, hat keinen Einfluss auf die Adressierung. So kann sich das Gerät mit der DMX-Adresse 1 an einer beliebigen Position in der (seriellen) DMX-Kette befinden, am Anfang, am Ende oder irgendwo in der Mitte. Wird einem Gerät die DMX-Adresse 1 zugewiesen, "weiß" der Controller, dass er alle der Adresse 1 zugeordneten Daten an dieses Gerät senden soll, ungeachtet seiner Position im DMX-Verbund.



Eine umfangreiche Auswahl geeigneter Kabel finden Sie in den Adam Hall-Produktlinien 3 STAR, 4 STAR und 5 STAR.

SERIELLE VERKOPPLUNG MEHRERER SCHEINWERFER

- 1.) Verbinden Sie den männlichen 3-Pol XLR-Stecker des DMX-Kabels mit dem DMX-Ausgang (weibliche 3-Pol-Buchse) des ersten Scheinwerfers oder anderen DMX-Geräts.
- 2.) Verbinden Sie den weiblichen 3-Pol XLR-Stecker des an den ersten Scheinwerfer angeschlossenen DMX-Kabels mit dem DMX-Eingang (männliche 3-Pol-Buchse) des nächsten DMX-Geräts. Verbinden Sie den DMX-Ausgang dieses Geräts in der gleichen Weise mit dem DMX-Eingang des nächsten Geräts und so weiter.

Bitte beachten Sie, dass DMX-Geräte grundsätzlich seriell verschaltet werden und die Verbindungen nicht ohne aktiven Splitter geteilt werden können.

ENGLISH

DEUTSCH

FRANCAIS

ESPAÑOL

POLSKI

ITALIANO



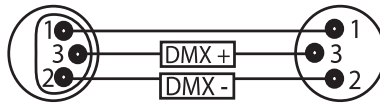
DMX-KABEL:

HINWEIS:

• Beachten Sie bei der Anfertigung eigener Kabel unbedingt die Abbildungen auf dieser Seite. Verbinden Sie auf keinen Fall die Abschirmung des Kabels mit dem Massekontakt des Steckers, und achten Sie darauf, dass die Abschirmung nicht mit dem XLR-Steckergehäuse in Kontakt kommt. Hat die Abschirmung Massekontakt, kann dies zu Kurzschlüssen und Systemfehlern führen.

Übliche Verbindung

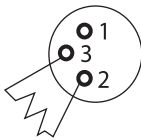
DMX-512-Ausgang
3-Pol-XLR



DMX-512-Eingang
3-Pol-XLR

BITTE BEACHTEN SIE: LEITUNGSABSCHLUSS (TERMINIERUNG):

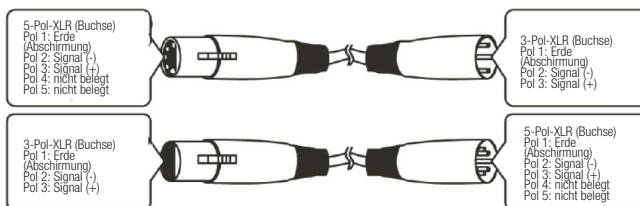
• Bei längeren Kabelstrecken kann es sein, dass das letzte Gerät in der Kette einen Abschlusswiderstand benötigt, um Systemfehlern vorzubeugen.



Die Verwendung eines Abschlusswiderstands (Terminierung) reduziert Interferenzen und andere Probleme bei der Signalübertragung. Es ist immer ratsam, ein DMX-Abschlussmodul (Widerstand 120 Ohm, 1/4 W) zwischen Pol 2 (DMX-) und Pol 3 (DMX+) des letzten Geräts in der Kette einzufügen.

Dies wird durch ein Kabel-Abschlussmodul (Art.-Nr. K3DMXT3) erreicht.

• Einige Hersteller verwenden für die Datenübertragung keine 3-Pol-XLR-Steckverbinder, sondern 5-Pol-Versionen. Geräte mit 5-Pol-XLR-Anschlüssen können jedoch auch in einen DMX-Verbund mit 3-Pol-XLR-Anschlüssen integriert werden. In diesem Fall ist ein geeigneter Kabeladapter erforderlich. Die folgende Abbildung zeigt die korrekte Belegung der entsprechenden Stecker.





TECHNISCHE DATEN:

ENGLISH

DEUTSCH

FRANCAIS

ESPAÑOL

POLSKI

ITALIANO

Modellbezeichnung:	CLPSTMINICOB30W
Produktart:	LED PAR Can
Typ:	Studio Mini PAR
Farbspektrum:	RGB
LED Anzahl:	1
LED Typ:	30 W COB
Abstrahlwinkel:	55° (40° mit Linse)
DMX-Eingang:	3-Pol XLR männlich
DMX-Ausgang:	3-Pol XLR weiblich
DMX-Modus:	2-Kanal, 3-Kanal 1, 3-Kanal 2, 6-Kanal
DMX Funktionen:	Master Dimmer, Farbwechsel, Farbüberblenden, Musiksteuerung, Stroboskop, RGB
Standalone Funktionen:	Farbwechsel, Farbüberblenden, Auto Mode, Musiksteuerung, Stroboskop, Statische Farben, Master/Slave-Betrieb
Bedienelemente:	Mode, Enter, Up, Down
Anzeigeelemente:	4-stelliges LED-Display
Betriebsspannung:	100 - 250 V AC / 50 - 60 Hz
Leistungsaufnahme:	15 W
Stromversorgungsanschluss:	1 m Netzkabel mit Schuko-Stecker
Gehäusematerial:	Metall
Gehäusefarbe:	schwarz (CLPSTMINICOB30W) weiß (CLPSTMINICOB30WWH)
Kühlung:	Lüfter
Abmessungen (B x H x T, ohne Bügel):	168 x 183 x 186
Gewicht:	2 kg
Weitere Eigenschaften:	Doppelbügel inklusive, Filterrahmen mit Linse inklusive



HERSTELLERERKLÄRUNGEN:

GARANTIEBESTIMMUNGEN

Diese Garantie erstreckt sich auf die Marken Adam Hall, LD Systems, Defender, Palmer und Cameo. Sie gilt für alle Produkte im Vertrieb von Adam Hall.

Diese Garantieerklärung berührt nicht die gesetzlichen Gewährleistungsansprüche an den Hersteller, sondern erweitert diese um zusätzliche Garantieansprüche gegenüber der Firma Adam Hall.

Adam Hall garantiert für den Zeitraum von zwei beziehungsweise fünf Jahren (bitte produktspezifisch erfragen) ab Kaufdatum, dass dieses Adam Hall-Produkt, welches Sie direkt über Adam Hall oder einen von Adam Hall autorisierten Händler erworben haben, bei bestimmungsgemäßem Gebrauch frei von Material- und Fertigungsfehlern ist.

Der Garantiezeitraum beginnt mit dem Kaufdatum des Produkts, das im Garantiefall entsprechend nachzuweisen ist (durch Vorlegen der Rechnung oder des Lieferscheins mit dem Kaufdatum). Sollte bei Produkten der oben genannten Marken innerhalb der Garantiezeit eine Reparatur erforderlich sein, sind Sie berechtigt, diese zu den hier aufgeführten Bedingungen durchführen zu lassen.

Innerhalb des Garantiezeitraums übernimmt Adam Hall die Reparatur oder den Ersatz der defekten Komponente(n) bzw. des Produkts. Im Falle einer Reparatur bzw. eines Austauschs innerhalb des Garantiezeitraumes gehen ausgewechselte Originalteile bzw. Produkte in das Eigentum der Firma Adam Hall über.

Sollte der unwahrscheinliche Fall eintreten, dass bei dem von Ihnen erworbenen Produkt ein Fehler wiederholt auftritt, hat die Firma Adam Hall das Recht, das defekte Produkt nach eigenem Ermessen durch ein anderes Produkt zu ersetzen, sofern das neue dem ausgetauschten Produkt in Bezug auf die technischen Spezifikationen mindestens gleichwertig ist.

Adam Hall übernimmt keine Garantie für einen störungs- und/oder fehlerfreien Betrieb dieses Produkts. Auch für Schäden durch Nichtbeachtung der diesem Adam Hall-Produkt beiliegenden Bedienungsanleitung und anderen Unterlagen ist Adam Hall nicht verantwortlich. Die Herstellergarantie gilt nicht - für Verschleißteile (z. B. Akkus) - für Produkte, von denen die Seriennummer entfernt wurde oder die aufgrund eines Unfalls beschädigt wurden - für Schäden durch unsachgemäßen Betrieb, durch Fehlbedienung oder andere externe Gründe

- für Schäden an Geräten, die nicht entsprechend den Betriebsparametern betrieben wurden (Parameter gemäß den im Lieferumfang enthaltenen Unterlagen),
- für Schäden durch die Verwendung nicht von Adam Hall hergestellter, vertriebener oder empfohlener Ersatzteile,
- für Schäden durch Fremdeingriffe/Modifikationen oder nicht durch Adam Hall durchgeführte Reparaturen.

Diese Bestimmungen und Bedingungen stellen die vollständige und ausschließliche Garantievereinbarung zwischen Ihnen und Adam Hall für das von Ihnen erworbene Adam Hall-Produkt dar.

ENGLISH

DEUTSCH

FRANÇAIS

ESPAÑOL

POLSKI

ITALIANO



HERSTELLERERKLÄRUNGEN:

HAFTUNGSBESCHRÄNKUNG

Falls an Hardware-Produkten von Adam Hall innerhalb der Garantiezeit Material- oder Verarbeitungsfehler (gemäß der Garantieerklärung oben) auftreten, besteht Ihr alleiniger und ausschließlicher Anspruch aus dieser Garantie in der Reparatur oder dem Austausch des Geräts. Die maximale Haftung der Firma Adam Hall ist entsprechend dieser Garantie ausdrücklich auf den Kaufpreis oder die Kosten für eine Reparatur oder Ersatz – und zwar den jeweils niedrigeren Betrag – der bei üblichem Gebrauch fehlerhafter Komponenten begrenzt.

Adam Hall ist nicht haftbar für jegliche durch das Produkt oder das Versagen des Produkts verursachte Schäden, einschließlich Gewinneinbußen und unterbliebener Einsparungen sowie besonderer, indirekter oder Folgeschäden. Des Weiteren ist Adam Hall nicht haftbar gegenüber Rechtsansprüchen Dritter oder durch Sie im Namen Dritter angemeldeten Forderungen.

Diese Haftungsbeschränkung gilt unabhängig davon, ob Schäden gerichtlich verfolgt oder Schadensersatzansprüche im Rahmen dieser Garantie oder aufgrund unerlaubter Handlungen (einschließlich Fahrlässigkeit und Gefährdungshaftung) oder aufgrund vertraglicher oder sonstiger Ansprüche gestellt werden, und kann von niemandem aufgehoben oder verändert werden. Diese Haftungsbeschränkung ist auch dann gültig, wenn Sie die Firma Adam Hall oder einen autorisierten Vertreter von Adam Hall auf die Möglichkeit solcher Schäden aufmerksam gemacht haben, nicht jedoch bei Schadensersatzansprüchen in Zusammenhang mit Personenschäden.

Diese Herstellergarantie räumt Ihnen bestimmte Rechte ein; je nach Gerichtsbarkeit (Staat oder Land) stehen Ihnen möglicherweise weitere Ansprüche zu. Es ist ratsam, in solchen Fällen die entsprechenden Gesetze heranzuziehen, um Ihre Rechte umfassend zu ermitteln.

INANSPRUCHNAHME DER GARANTIE

Wenden Sie sich im Garantiefall direkt an Adam Hall oder den von Adam Hall autorisierten Händler, bei dem Sie das Produkt erworben haben.

EG-KONFORMITÄTserklärung

Die von Adam Hall vertriebenen Geräte entsprechen (soweit zutreffend) den grundlegenden Anforderungen und weiteren relevanten Spezifikationen der Richtlinien 1999/5/EC (R&TTE), 2004/108/EC (EMC) und 2006/95/EC (LVD). Weitere Informationen finden Sie unter www.adamhall.com.

ENGLISH

DEUTSCH

FRANCAIS

ESPAÑOL

POLSKI

ITALIANO



HERSTELLERERKLÄRUNGEN:

KORREKTE ENTSORGUNG DIESES PRODUKTES

(Gültig in der Europäischen Union und anderen europäischen Ländern mit Mülltrennung)



Dieses Symbol auf dem Produkt oder dazugehörigen Dokumenten weist darauf hin, dass das Gerät am Ende der Produktlebenszeit nicht zusammen mit dem normalen Hausmüll entsorgt werden darf, um Umwelt- oder Personenschäden durch unkontrollierte Abfallentsorgung zu vermeiden. Bitte entsorgen Sie dieses Produkt getrennt von anderen Abfällen und führen es zur Förderung nachhaltiger Wirtschaftskreisläufe dem Recycling zu.

Als Privatkunde erhalten Sie Informationen zu umweltfreundlichen Entsorgungsmöglichkeiten über den Händler, bei dem das Produkt erworben wurde, oder über die entsprechenden regionalen Behörden.

Als gewerblicher Nutzer kontaktieren Sie bitte Ihren Lieferanten und prüfen die ggf. vertraglich vereinbarten Konditionen zur Entsorgung der Geräte. Dieses Produkt darf nicht zusammen mit anderen gewerblichen Abfällen entsorgt werden.

UMWELTSCHUTZ UND ENERGIESPAREN

Energiesparen ist ein aktiver Beitrag zum Umweltschutz. Schalten Sie bitte alle nicht benötigten elektrischen Geräte aus. Um zu verhindern, dass nicht benötigte Geräte im Standby-Modus Strom verbrauchen, ziehen Sie den Netzstecker.

Adam Hall GmbH, alle Rechte vorbehalten. Die technischen Daten und die funktionalen Produkteigenschaften können Änderungen und Irrtümer vorbehalten. Das Kopieren, die Übersetzung, und alle anderen Formen des Kopierens von Fragmenten oder der Vollständigkeit dieser Bedienungsanleitung ist untersagt.

ENGLISH

DEUTSCH

FRANCAIS

ESPAÑOL

POLSKI

ITALIANO



ENGLISH

DEUTSCH

FRANCAIS

ESPAÑOL

POLSKI

ITALIANO



ENGLISH

DEUTSCH

FRANCAIS

ESPAÑOL

POLSKI

ITALIANO

Merci d'avoir choisi Cameo Light !

Nous avons conçu ce produit en vue d'une fiabilité optimale pendant des années.

Veuillez prendre quelques instants pour lire attentivement ces instructions - cela vous permettra d'utiliser plus rapidement et de façon optimale votre nouveau produit Cameo Light.

Pour plus d'informations sur Cameo Light, visitez notre site Web, WWW.CAMEOLIGHT.COM



ENGLISH

DEUTSCH

FRANCAIS

ESPAÑOL

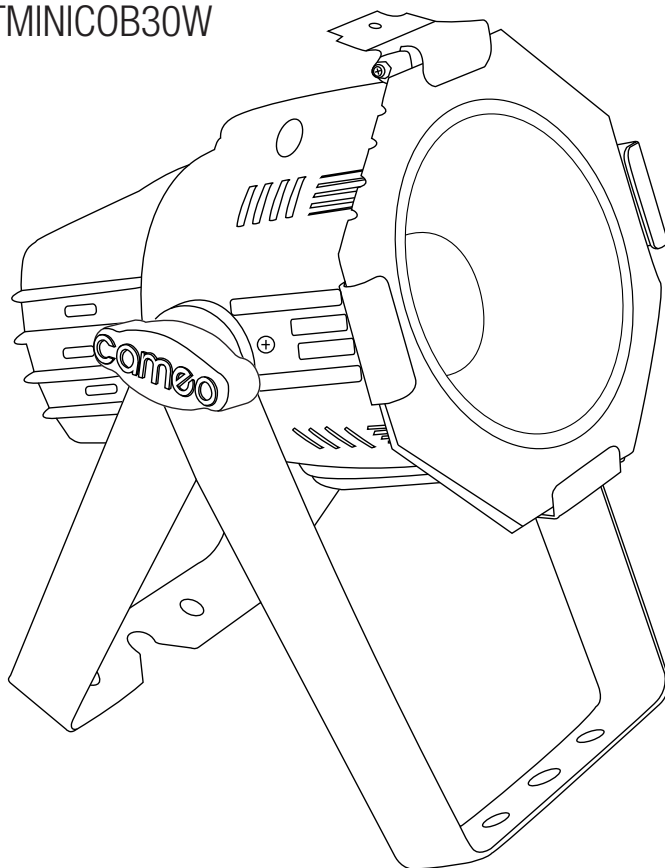
POLSKI

ITALIANO

LED **MINI** PAR CAN

PROJECTEUR PAR CAN RVB À LED COB 30 W

CLPSTMINICOB30W





MESURES PRÉVENTIVES :

1. Veuillez lire attentivement ce manuel.
2. Rangez tous les documents d'information et d'instructions en lieu sûr.
3. Veuillez suivre toutes les instructions
4. Observez tous les messages d'avertissement N'enlevez pas de l'appareil les étiquettes de sécurité ou autres informations.
5. N'utilisez l'appareil que pour des applications et de la façon appropriées.
6. Utilisez exclusivement des pieds et des dispositifs de fixation stables et adaptés lorsque l'appareil est utilisé en installation fixe. Assurez-vous que les fixations murales ont été montées correctement, et qu'elles sont sécurisées. Vérifiez que l'appareil est installé en toute sécurité, et qu'il ne peut pas tomber.
7. Lors de l'installation, observez les réglementations de sécurité en vigueur dans votre pays.
8. N'installez et n'utilisez pas l'appareil à proximité de radiateurs, d'accumulateurs de chaleur, de fours ou de toute autre source de chaleur. Vérifiez que l'appareil est installé de façon à bénéficier en permanence d'un refroidissement efficace et qu'il ne peut pas chauffer de façon excessive.
9. Ne placez aucune source de flamme sur l'appareil – par exemple, une bougie allumée.
10. Ne bloquez pas les orifices d'aération.
11. N'utilisez pas l'appareil à proximité immédiate d'eau (à moins qu'il ne s'agisse d'un appareil conçu pour une utilisation en extérieur – dans ce cas, respectez les instructions correspondantes ci après) Ne mettez pas l'appareil en contact avec des matériaux, des liquides ou des gaz inflammables.
12. Vérifiez qu'aucune projection ou liquide ne puisse s'introduire dans l'appareil. Ne posez sur l'appareil aucun objet renfermant du liquide : vase, verre d'eau...
13. Vérifiez qu'aucun petit objet ne puisse tomber à l'intérieur de l'appareil.
14. N'utilisez avec cet appareil que des accessoires recommandés et approuvés par le fabricant.
15. N'ouvrez pas l'appareil, et n'essayez pas de le modifier.
16. Lors du branchement de l'appareil, sécurisez le passage du câble secteur, afin d'éviter tout dommage ou accident, par exemple quelqu'un qui trébucher sur le câble.
17. Lors du transport, vérifiez que l'appareil ne peut tomber, ce qui pourrait provoquer des dommages matériels et/ou corporels.
18. Si votre appareil ne fonctionne plus correctement, que de l'eau ou des objets ont pénétré à l'intérieur, ou qu'il a été endommagé de quelque façon que ce soit, éteignez-le immédiatement et débranchez sa prise secteur (s'il s'agit d'un appareil alimenté). Cet appareil ne doit être réparé que par un personnel autorisé.
19. Pour le nettoyage de l'appareil, utilisez un chiffon sec/
20. Observez toutes les réglementations en vigueur dans votre pays pour mettre l'appareil au rebut. Lorsque vous jetez l'emballage de l'appareil, veuillez séparer plastique, papier et carton.
21. Les films plastique doivent être mis hors de portée des enfants.

APPAREILS RELIÉS AU SECTEUR :

22. ATTENTION : Si le câble de l'appareil est muni d'un fil de terre, il doit être relié à une prise murale avec terre. Ne désactivez jamais la mise à la terre d'un appareil.
23. N'allumez pas l'appareil immédiatement s'il a subi une grande différence de température ambiante (par exemple, lors du transport). L'humidité et la condensation pourraient l'endommager. Ne mettez l'appareil sous tension que lorsqu'il est parvenu à la température de la pièce.
24. Avant de relier l'appareil à la prise murale, vérifiez que la valeur et la fréquence de tension secteur sur laquelle il est réglé correspondent bien à la valeur et à la fréquence de la tension secteur locale. Si l'appareil possède un sélecteur de tension, ne le branchez sur la prise murale qu'après avoir vérifié que la valeur réglée correspond à la valeur effective de la tension secteur. Si la fiche du cordon secteur ou du bloc adaptateur livré avec votre appareil ne correspond pas au format de votre prise murale, veuillez consulter un électricien.
25. Ne piétinez pas le câble secteur. Assurez-vous que le câble secteur n'est pas trop pincé, notamment au niveau de l'arrière de l'appareil (ou de son adaptateur secteur) et de la prise murale.



SÉCURITÉ :

26. Lors du branchement de l'appareil, vérifiez que l'accès au câble secteur ou au bloc adaptateur reste facile.

Sortez la fiche secteur de la prise murale dès que vous n'utilisez pas l'appareil pendant un certain temps, ou si vous désirez nettoyer l'appareil. Pour ce faire, tirez toujours sur la fiche elle-même, ou sur le bloc secteur lui-même ; ne tirez jamais sur le câble. Ne manipulez jamais le câble secteur ou l'adaptateur secteur avec des mains mouillées.

27. N'éteignez/rallumez pas l'appareil rapidement plusieurs fois de suite : vous risquez de réduire la longévité de ses composants internes.

28. CONSEIL IMPORTANT : Ne remplacez le fusible que par un fusible de même type et du même calibre. Si le fusible fond de façon répétée, veuillez consulter un centre de réparations agréé.

29. Pour séparer complètement l'appareil du secteur, débranchez le cordon secteur ou l'adaptateur de la prise murale.

30. Si votre appareil est muni d'un connecteur secteur verrouillable (Volex), il faut d'abord déverrouiller le mécanisme avant d'enlever le cordon secteur. Attention, lorsque vous retirez le câble secteur, à ne pas faire bouger l'appareil, ce qui pourrait se traduire par un risque de chute, de blesser quelqu'un, ou tout autre dommage. Manipulez toujours le cordon secteur avec soin.

31. Débranchez la fiche secteur ou l'adaptateur de la prise murale en cas d'orage, ou si vous n'utilisez pas l'appareil pendant une longue période.



ATTENTION :

Ne démontez jamais le couvercle de l'appareil, vous risquez de recevoir un choc électrique. L'appareil ne renferme aucune pièce ni composant réparable ou remplaçable par l'utilisateur. Ne confiez sa réparation qu'à un personnel technique qualifié.



Le pictogramme en forme de triangle équilatéral renfermant un éclair signale à l'utilisateur la présence à l'intérieur de l'appareil d'une tension dangereuse non protégée, suffisamment élevée pour présenter un risque pour les personnes.



Le pictogramme en forme de triangle équilatéral renfermant un point d'exclamation signale à l'utilisateur la présence d'instructions importantes concernant l'utilisation ou l'entretien de l'appareil.

ATTENTION ! CONSEILS IMPORTANTS POUR LES PRODUITS 'ÉCLAIRAGE

1. Ne regardez pas directement l'appareil si vous vous trouvez à une distance de moins de 40 cm.
2. Ne fixez jamais le rayon lumineux, même pendant une courte durée, même à distance moyenne.
3. Ne regardez jamais le rayon lumineux par l'intermédiaire d'un appareil optique grossissant (jumelles par exemple).
4. Les effets stroboscopiques peuvent, dans certaines circonstances, provoquer des crises d'épilepsie chez les sujets sensibles. Les personnes concernées doivent donc absolument éviter les lieux dans lesquels les stroboscopes sont utilisés.

Ce produit a été développé pour une utilisation professionnelle, dans le secteur du spectacle : il ne convient pas à l'éclairage domestique.

ENGLISH

DEUTSCH

FRANCAIS

ESPAÑOL

POLSKI

ITALIANO



INTRODUCTION :

PROJECTEUR PAR CAN RVB À LED COB, 30 W (CLPSTMINICOB30W/WH)

FONCTIONS DE PILOTAGE :

- Pilotage DMX 2 canaux, 3 canaux 1, 3 canaux 2, 6 canaux
- Pilotage séparé des couleurs rouge, vert et bleu

FONCTIONNALITÉS :

- 1 LED COB tricolore (RVB), très lumineuse (puissance 30 W)
- Pilotage par la musique, grâce au microphone intégré
- Rapidité du changement/passage de couleurs et fréquence de l'effet Strobe pilotables par le panneau utilisateur
- Changeur de couleurs
- Modes Master/Slave
- Boîtier métallique robuste
- Consommation électrique : 15 W
- LED de longue durée de vie
- Double support

UTILISATION :

Le Cameo LED COB est un projecteur à LED pilotable DMX-512, avec mélange de couleurs RVB, se distinguant par sa LED COB très lumineuse, de haute efficacité. L'intensité des trois groupes de couleurs (rouge, vert, bleu) se pilote de façon indépendante, ce qui permet d'obtenir un nombre illimité de couleurs différentes.

Le projecteur LED Cameo peut s'utiliser en mode Master ou Slave, il peut aussi se piloter par la musique ou via le protocole DMX-512.

ENGLISH

DEUTSCH

FRANCAIS

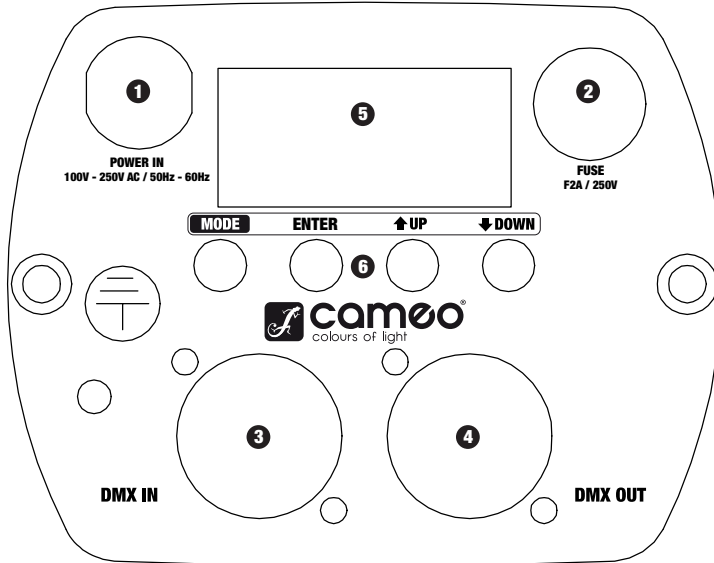
ESPAÑOL

POLSKI

ITALIANO



PANNEAU ARRIÈRE :



ENGLISH

DEUTSCH

FRANCAIS

ESPAÑOL

POLSKI

ITALIANO

1 POWER IN

Câble secteur fixe, longueur 1 m, fiche Schuko

2 FUSE (PORTE-FUSIBLE)

CONSEIL IMPORTANT : Remplacez exclusivement le fusible par un fusible neuf du même format et du même calibre (valeurs indiquées sur le panneau arrière de l'appareil). Si le fusible fond de façon répétée, veuillez consulter un centre de réparations agréé.

3 DMX IN

Entrée DMX sur connecteur XLR 3 points, pour branchement d'un contrôleur DMX (par exemple, pupitre DMX)

4 DMX OUT

Connecteur XLR 3 points, pour renvoi du signal de pilotage DMX.

5 AFFICHEUR LED

Indique le mode de fonctionnement et les valeurs correspondant à telle ou telle fonction.

6 TOUCHES UTILISATEUR

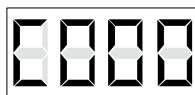
Ces 4 touches utilisateur, d'accès facile, permettent de gérer le paramétrage du système.



UTILISATION :

COULEURS STATIQUES

Appuyez sur la touche MODE jusqu'à ce que la mention "C000" apparaisse sur l'afficheur. Appuyez sur ENTER, puis choisissez la couleur désirée (ou l'effet Stroboscope) en appuyant sur les touches Haut et Bas ["C1" = rouge, "C2" = vert, "C3" = bleu, "CF" = effet Stroboscope]. Les deux chiffres suivants correspondent à la valeur de luminosité (de 00 à 99), en mode Stroboscope, à la fréquence de l'effet. Exemples : Si vous réglez C1, C2 et C3 sur "00", toutes les LED du projecteur sont éteintes ("Blackout"). Si vous réglez C1 sur "99" et C2 et C3 sur "00", le projecteur émet une lumière 100% rouge.

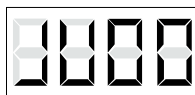


MODE ENTER ↑ UP ↓ DOWN

CHANGEUR DE COULEURS

Appuyez sur la touche MODE, jusqu'à ce que la mention "JU00" (JU comme JUmpe) apparaisse dans l'afficheur. Le projecteur travaille dès lors en mode Changeur de Couleurs. Appuyez ensuite sur ENTER pour choisir, via les touches Haut/Bas, la fonction 7 couleurs "JU00" ou la fonction Stroboscope "JF00". Pour régler la rapidité de saut d'une couleur à l'autre ou la fréquence du stroboscope (00 - 99), appuyez de nouveau sur ENTER (les 4 chiffres de l'afficheur clignotent), puis modifiez la valeur avec les touches Haut/Bas. Pour valider, appuyez sur ENTER.

Attention : Les deux fonctions peuvent être utilisées simultanément.



MODE ENTER ↑ UP ↓ DOWN

7 COULEURS

Rapidité 00 -99



MODE ENTER ↑ UP ↓ DOWN

STROBE

Rapidité 00 -99



MODE ENTER ↑ UP ↓ DOWN



UTILISATION :

MÉLANGEUR DE COULEURS

Appuyez sur la touche MODE, jusqu'à ce que la mention "FA00" (FA comme FArbüberblenden) apparaisse dans l'afficheur. Le projecteur travaille dès lors en mode Mélangeur de Couleurs. Appuyez ensuite sur ENTER pour choisir, via les touches Haut/Bas, la fonction 7 couleurs "FA00" ou la fonction Stroboscope "FF00". Pour régler la rapidité de mélange de couleurs ou la fréquence du stroboscope (00 - 99), appuyez de nouveau sur ENTER (les 4 chiffres de l'afficheur clignotent), puis modifiez la valeur avec les touches Haut/Bas. Pour valider, appuyez sur ENTER.

Attention : Les deux fonctions peuvent être utilisées simultanément.

7 COULEURS

Rapidité 00 -99

STROBE

Rapidité 00 -99

MODE AUTO

Appuyez sur la touche MODE, jusqu'à ce que la mention "AUTO" apparaisse dans l'afficheur. Dans ce mode de fonctionnement, on passe automatiquement du mode changement de couleurs au mode mélange de couleurs. La rapidité du changement/ mélange de couleurs se règle via les paramètres du mode correspondant.

MODE SLAVE

Appuyez sur la touche MODE, jusqu'à ce que la mention "SLAV" apparaisse dans l'afficheur. Reliez l'appareil Slave et l'appareil Master avec un câble DMX. Dès lors, l'appareil esclave (Slave) suit l'appareil maître (Master). Validez vos choix en appuyant sur la touche ENTER.



MODE ENTER ↑UP ↓DOWN



MODE ENTER ↑UP ↓DOWN



MODE ENTER ↑UP ↓DOWN



MODE ENTER ↑UP ↓DOWN



MODE ENTER ↑UP ↓DOWN

ENGLISH

DEUTSCH

FRANCAIS

ESPAÑOL

POLSKI

ITALIANO



UTILISATION :

PILOTAGE PAR LA MUSIQUE

Appuyez sur la touche MODE, jusqu'à ce que la mention "SU00" apparaisse dans l'afficheur. Dès lors, le projecteur est piloté par le signal du microphone intégré : il suit donc le tempo de la musique. Appuyez de nouveau sur la touche ENTER (les 4 chiffres clignotent) et réglez la sensibilité du microphone avec les touches Haut et Bas (00 - 99). Validez vos choix en appuyant sur la touche ENTER.



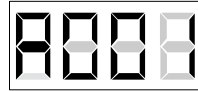
SÉLECTION DU MODE DMX

Appuyez sur la touche MODE jusqu'à ce que l'un des quatre modes DMX apparaisse dans l'afficheur (2Ch, 3Ch1, 3Ch2, 6Ch). Appuyez sur ENTER (tous les chiffres clignotent), puis choisissez le mode DMX désiré à l'aide des touches Haut/Bas. Validez vos choix en appuyant sur la touche ENTER.



RÉGLAGE DE L'ADRESSE DE DÉPART DMX

Appuyez sur la touche MODE jusqu'à ce que la lettre "A" et 3 chiffres apparaissent dans l'afficheur. Appuyez sur ENTER (tous les chiffres clignotent), puis choisissez l'adresse de départ DMX désirée à l'aide des touches Haut/Bas. Validez vos choix en appuyant sur la touche ENTER. Attention : Pour pouvoir contrôler le projecteur en mode DMX, il faut régler l'adresse de départ DMX du mode.



Attention :

Au bout d'une minute, si aucune des quatre touches n'a été utilisée, l'afficheur LED s'éteint. Il se rallume dès que vous appuyez sur une des quatre touches.

REMARQUE

Pour resserrer l'angle de départ du faisceau lumineux de 55° à 40°, insérez la lentille livrée dans le support prévu à cet effet.



PILOTAGE DMX:

ENGLISH

DEUTSCH

FRANCAIS

ESPAÑOL

POLSKI

ITALIANO

MODE 2 CANAUX		
CANAL	VALEUR	FONCTION
CH1	000 - 255	Master-Dimmer (0 - 100%)
CH2	000 - 255	Macro Couleurs
	000 - 031	Blackout
	032 - 063	Rouge
	064 - 095	Vert
	096 - 127	Bleu
	128 - 159	Jaune
	160 - 191	Cyan
	192 - 223	Magenta
	224 - 255	Blanc
000 - 255	Macro Couleurs	

MODE 3 CANAUX 1		
CANAL	VALEUR	FONCTION
CH1	000 - 255	Master-Dimmer (0 - 100%)
CH2	000 - 255	Stroboscope (Fréquence 0 - 100%)
CH3	000 - 004	Blackout
	005 - 080	Macro Couleur (Rouge, Vert, Bleu, Jaune, Magenta, Cyan, Blanc)
	081 - 150	Saut de Couleurs (rapidité)
	151 - 220	Mélange de Couleurs (rapidité)
	221 - 255	Pilotage par la musique (sensibilité micro)



MODE DMX :

MODE 3 CANAUX 2

CANAL	VALEUR	FONCTION
CH1	000 - 255	Rouge (0 - 100%)
CH2	000 - 255	Vert (0 - 100%)
CH3	000 - 255	Bleu (0 - 100%)

MODE 6 CANAUX

CANAL	VALEUR	FONCTION
CH1	000 - 255	Master-Dimmer (0 - 100%)
CH2	000 - 255	Stroboscope (Fréquence 0 - 100%)
CH3	000 - 255	Rouge (0 - 100%)
CH4	000 - 255	Vert (0 - 100%)
CH5	000 - 255	Bleu (0 - 100%)
CH6	000 - 004	Blackout
	005 - 080	Macro Couleur (Rouge, Vert, Bleu, Jaune, Magenta, Cyan, Blanc)
	081 - 150	Saut de Couleurs (rapidité)
	151 - 220	Mélange de Couleurs (rapidité)
	221 - 255	Pilotage par la musique (sensibilité micro)

ENGLISH

DEUTSCH

FRANÇAIS

ESPAÑOL

POLSKI

ITALIANO



CÂBLAGE DMX :

DMX-512

Le terme DMX (Digital Multiplex) désigne un protocole de transport universel permettant la communication entre des appareils et des contrôleurs à ce format. Un contrôleur DMX envoie des données DMX aux appareils DMX qui lui sont connectés. Les données DMX sont transportées sous forme d'un flux série, renvoyé d'un appareil au suivant via des connecteurs XLR repérés "DMX IN" et "DMX OUT". (La plupart des contrôleurs ne possèdent qu'une sortie DMX).

PROTOCOLE DMX :

Il s'agit d'un langage universel, permettant d'interconnecter des appareils DMX de type différents, de marques différentes, et de tous les piloter depuis un contrôleur DMX central. Pour un transport optimal des données, il est recommandé d'utiliser les câbles les plus courts possibles pour interconnecter les appareils. L'ordre dans lequel les différents appareils sont connectés au sein d'un réseau DMX n'a aucune influence sur l'adressage. Autrement dit, vous pouvez placer l'appareil possédant l'adresse DMX 1 où vous le désirez dans la chaîne DMX : au début, à la fin, au milieu... Si un appareil s'est vu affecter l'adresse DMX 1, le contrôleur "sait" qu'il doit lui envoyer toutes les données destinées à l'adresse 1, quelle que soit la position dudit appareil dans la chaîne DMX.



Vous trouverez un choix complet de câbles compatibles dans les gammes Adam Hall 3 STAR, 4 STAR et 5 STAR.

CONNEXION EN SÉRIE DE PLUSIEURS PROJECTEURS

- 1.) Reliez le connecteur XLR 3 points mâle du câble DMX à la sortie DMX (connecteur 3 points femelle) du premier projecteur (ou autre appareil DMX).
 - 2.) Reliez le connecteur XLR 3 points femelle du câble DMX relié au premier projecteur à l'entrée DMX (connecteur XLR 3 points mâle) de l'appareil DMX suivant. Reliez la sortie DMX de cet appareil, selon la même méthode, à l'entrée DMX de l'appareil DMX suivant, et ainsi de suite.
- Veillez à ce que tous les appareils DMX soient reliés en série, et n'oubliez pas que les liaisons ne peuvent être partagées sans utiliser de splitter actif.

ENGLISH

DEUTSCH

FRANCAIS

ESPAÑOL

POLSKI

ITALIANO



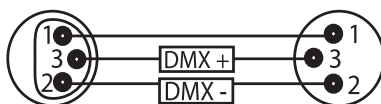
CÂBLE DMX :

CONSEIL :

- Si vous fabriquez vous-mêmes vos câbles, respectez les modalités de câblage DMX. En particulier : Ne reliez jamais le blindage du câble à la masse du connecteur, et vérifiez bien qu'en aucun cas le blindage du câble n'entre en contact avec le corps du connecteur. Si le blindage entre en contact avec la masse, cela peut provoquer des courts-circuits et des défaillances système.

Câblage habituel

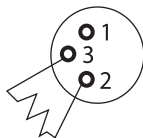
Sortie DMX-512
XLR 3 points



Entrée DMX-512
XLR 3 points

ATTENTION : TERMINAISON (RÉSISTANCE DE CHARGE EN FIN DE CHAÎNE)

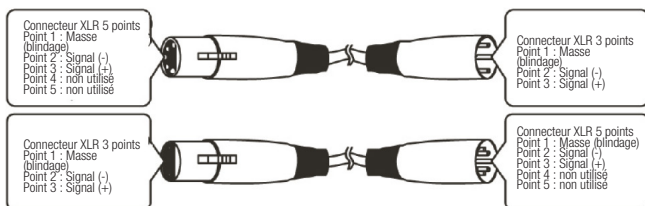
- Sur de grandes longueurs de liaison, il est possible que le dernier appareil de la chaîne exige une résistance de terminaison, afin d'éviter toute erreur système.



L'utilisation d'une résistance de terminaison ("bouchon") réduit les interférences et autres problèmes lors du transport du signal de pilotage. Il est toujours opportun d'implanter dans le connecteur du dernier appareil de la chaîne DMX un module de terminaison, utilisant une résistance de 120 Ohms, 1/4 W entre les points 2 (DMX-) et 3 (DMX+).

Pour ce faire, utilisez un module de terminaison pour câble (référence : K3DMXT3).

- Certains fabricants utilisent, pour les connecteurs de données DMX, des XLR 5 points au lieu de XLR 3 points. Ils sont toutefois compatibles avec les autres appareils DMX. Il suffit d'utiliser un câble adaptateur physique. Le schéma suivant indique la correspondance des points sur les connecteurs.





CARACTÉRISTIQUES TECHNIQUES :

Référence modèle :	CLPSTMINICOB30W
Type de produit :	Projecteur PAR Can à LED
Type :	Studio Mini PAR
Spectre de couleurs :	RVB
Nombre de LED :	1
Type de LED :	COB, puissance 30 W
Angle de départ :	55° (40° avec lentille)
Entrée DMX :	XLR 3 points mâle
Sortie DMX :	XLR 3 points femelle
Modes DMX :	2 canaux, 3 canaux-1, 3 canaux-2, 6 canaux
Fonctions DMX :	Master Dimmer, saut de couleurs, mélange de couleurs, pilotage par la musique, effet stroboscope, couleurs RVB
Fonctions en mode autonome :	Saut de couleurs, changeur de couleurs, pilotage par la musique, effet stroboscope, couleurs statiques, mode Master/Slave
Contrôles :	Touches Mode, Enter, Haut, Bas
Indicateurs :	Afficheur 4 caractères LED
Tension d'alimentation :	100 - 240 Volts, 50/60 Hz
Consommation électrique :	15 W
Branchement secteur :	Cordon secteur captif, longueur 1 m, avec fiche Schuko
Matériau boîtier :	Métal
Couleur boîtier :	noir (CLPSTMINICOB30W) blanc (CLPSTMINICOB30WWH)
Refroidissement :	Ventilateur
Dimensions (L x H x P, sans support) :	168 x 183 x 186 mm
Masse :	2 kg
Divers :	Livré avec double support, porte-filtre et lentille

ENGLISH

DEUTSCH

FRANCAIS

ESPAÑOL

POLSKI

ITALIANO



DECLARATIONS FABRICANT :

GARANTIE FABRICANT LIMITÉE

Cette garantie concerne tous les produits de marque Adam Hall, LD Systems, Defender, Palmer et Cameo.

Elle s'applique également à tous les produits distribués par Adam Hall.

Elle ne concerne pas les droits statutaires relatifs à la garantie envers le vendeur. En fait, elle justifie des requêtes en garantie supplémentaires, indépendantes, envers Adam Hall.

Adam Hall garantit, pendant une période s'étendant selon le cas de deux à cinq ans (à vérifier selon le produit) à compter de la date d'achat, que le produit Adam Hall que vous avez acheté directement auprès d'Adam Hall ou chez un revendeur autorisé est dépourvu de défaut, au niveau des composants ou de la fabrication, dans le cadre d'une utilisation normale.

La période pendant laquelle cette garantie limitée est applicable commence à partir de la date d'achat. Cette date se justifie d'après une facture ou un bon de livraison daté. Dans le cas où des produits des marques citées ci avant nécessiteraient une réparation pendant la période de garantie limitée, vous avez droit à des réparations sous garantie, conformément aux termes et conditions exposés dans ce document.

Pendant toute la période de garantie limitée, Adam Hall réparera ou procédera au remplacement de tous les composants défectueux, ou le produit lui-même. En cas de réparation ou d'échange pendant la période de garantie, les pièces originales remplacées ou le produit échangé deviennent la propriété de la société Adam Hall.

Dans le cas improbable où votre produit Adam Hall serait sujet à des défaillances répétées, Adam Hall, à sa discrétion, peut choisir de mettre à votre disposition un appareil de remplacement de son choix, au moins équivalent à votre produit de marque Adam Hall en termes de performances matérielles et techniques.

Adam Hall ne garantit pas que l'utilisation de ce produit ne sera sujette à aucune interruption ni défaillance. Adam Hall n'est pas responsable des dommages occasionnés par le non-respect des instructions contenues dans le manuel d'utilisation livré avec le produit de marque Adam Hall. La garantie fabricant ne s'applique pas - aux pièces d'usure (accumulateurs par exemple) - aux produits dont le numéro de série a été effacé, ou qui ont été endommagés ou rendus inutilisables à la suite d'un accident - aux dommages provoqués une utilisation peu précautionneuse, à une erreur de manipulation ou tout autre motif externe.

- en cas de dommages subis par des appareils suite à une utilisation hors des valeurs d'usage des paramètres (telles que mentionnées dans le manuel utilisateur livré avec le produit)

- en cas de dommages consécutifs à l'utilisation de pièces de rechange non fabriquées ou non vendues par Adam Hall

- en cas de dommages consécutifs à des modifications ou réparations non assurées par Adam Hall

Ces termes et conditions constituent l'accord de garantie complet et exclusif entre vous et Adam Hall, relativement au produit de marque Adam Hall que vous avez acheté.

ENGLISH

DEUTSCH

FRANCAIS

ESPAÑOL

POLSKI

ITALIANO



DECLARATIONS FABRICANT :

RESPONSABILITÉ LIMITÉE

Si votre appareil de marque Adam Hall présente, pendant la période de garantie, des défaillances au niveau des composants ou de la fabrication, couvertes par les conditions ci avant, le seul recours, exclusif, est sa réparation ou son remplacement au titre de cette garantie. Dans le cadre de cette garantie limitée, la responsabilité financière maximale d'Adam Hall est expressément limitée à la plus faible des deux sommes suivantes : prix d'achat payé pour le produit ou coût de réparation ou de remplacement de tout composant matériel ne fonctionnant pas correctement dans des conditions normales d'utilisation.

Adam Hall ne peut être tenu pour financièrement responsable de tout dommage causé par le produit ou sa défaillance – y compris toute perte de recettes ou de bénéfices, ni de tout dommage spécifique, incidentel ou consécutif. De plus, Adam Hall n'est pas responsable financièrement en cas de requête émanant d'une tierce partie ou de votre part pour le compte d'une tierce partie.

Cette limitation de responsabilité financière s'applique en cas de demande de dommages et intérêts ou de poursuites, dans le cadre de cette garantie limitée ou en cas de procédure (négligence et stricte responsabilité produit), de non-respect du contrat, ou de toute autre procédure. Cette limitation de responsabilité financière ne peut être annulée ou amendée par quiconque. Cette limitation de responsabilité financière s'applique même si vous avez prévenu Adam Hall ou tout représentant autorisé de Adam Hall de la possibilité de tels dommages. Toutefois, cette limitation de responsabilité financière ne s'applique pas en cas de blessures aux personnes.

Cette garantie fabricant limitée vous donne des droits légaux spécifiques. Vous pouvez également avoir d'autres droits, variables d'un état ou d'un pays à l'autre. Nous vous conseillons de vous reporter aux lois applicables dans votre état ou votre pays afin de déterminer l'étendue exacte de vos droits.

DEMANDE DE RÉPARATIONS SOUS GARANTIE

Pour demander des réparations sous garantie pour votre produit, veuillez contacter Adam Hall ou le revendeur agréé Adam Hall auprès de qui vous l'avez acheté.

DÉCLARATION DE CONFORMITÉ CE

Les appareils commercialisés par Adam Hall répondent (à la date actuelle) aux exigences et spécifications applicables des Directives 1999/5/EC (R&TTE), 2004/108/EC (EMC) et 2006/95/EC (LVD). Pour plus d'informations, référez-vous au site www.adamhall.com.

ENGLISH

DEUTSCH

FRANCAIS

ESPAÑOL

POLSKI

ITALIANO



DECLARATIONS FABRICANT :

MISE AU REBUT DE CE PRODUIT

(Applicable dans l'Union Européenne et les autres pays européens dotés de systèmes de collecte sélective)



La présence de ce logo sur le produit ou son manuel d'utilisation indique qu'en fin de vie, il ne doit pas être jeté avec les autres déchets domestiques. Afin d'éviter toute atteinte à l'environnement ou à la santé humaine pouvant résulter d'une gestion incontrôlée des déchets, veuillez assurer son recyclage de manière responsable. Séparez-le des autres types de déchets et recyclez-le, afin de promouvoir la réutilisation durable des ressources naturelles.

Nous conseillons aux utilisateurs non professionnels de contacter le revendeur chez qui ils ont acheté le produit, ou un représentant gouvernemental local, pour plus de détails sur le lieu de collecte et la façon de recycler cet appareil dans le meilleur respect de l'environnement possible..

Nous invitons les utilisateurs professionnels à contacter leur fournisseur et à vérifier les termes et conditions de leur contrat d'achat. Ce produit ne doit pas être mélangé à d'autres déchets commerciaux lors de la collecte.

PROTECTION DE L'ENVIRONNEMENT ET ÉCONOMIES D'ÉNERGIE

Économiser l'énergie constitue une contribution active efficace à la protection de l'environnement. Pensez à éteindre tout appareil électrique dès que vous ne vous en servez plus. Pour éviter que les appareils placés en mode de veille (Standby) ne continuent à consommer de l'électricité, débranchez-les de leur prise secteur.

Adam Hall GmbH, tous droits réservés. Les caractéristiques techniques et les fonctions disponibles sur le produit sont sujettes à modifications. La photocopie, la traduction et toute forme de copie, partielle ou intégrale, de ce manuel utilisateur sont interdites.



ENGLISH

DEUTSCH

FRANCAIS

ESPAÑOL

POLSKI

ITALIANO



ENGLISH

DEUTSCH

FRANCAIS

ESPAÑOL

POLSKI

ITALIANO

¡Gracias por elegir Cameo Light!

Este producto se ha diseñado para ofrecer una fiabilidad y durabilidad óptimas.

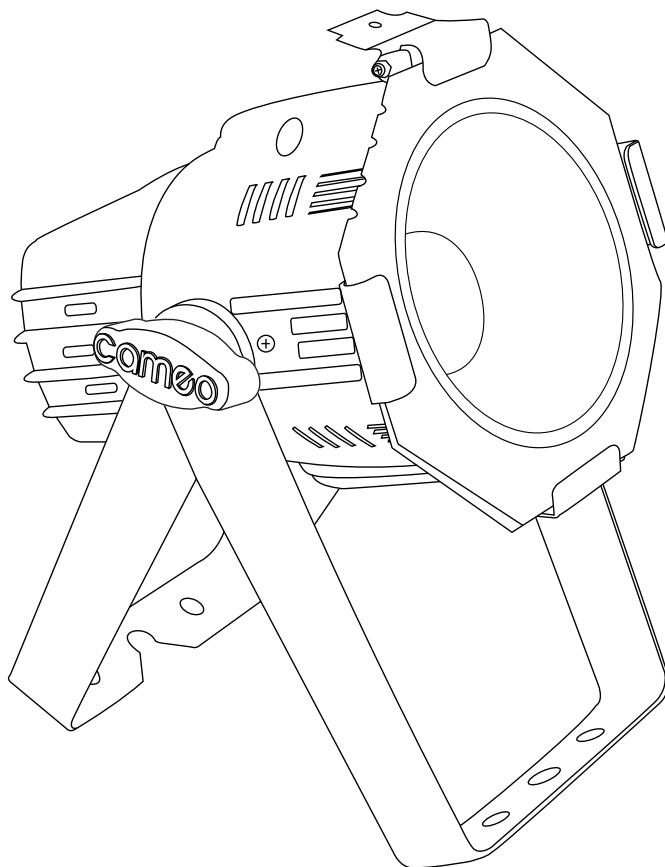
Le rogamos que lea atentamente estas instrucciones para familiarizarse rápidamente con este producto Cameo Light y aprovechar al máximo todas las funciones.

Si desea obtener más información sobre Cameo Light, visite nuestro sitio web WWW.CAMEOLIGHT.COM



FOCO **MINI** PAR LED

FOCO PAR LED COB 30 W RGB CLPSTMINICOB30W



ENGLISH

DEUTSCH

FRANCAIS

ESPAÑOL

POLSKI

ITALIANO



MEDIDAS DE SEGURIDAD:

1. Lea atentamente las instrucciones de este manual.
2. Guarde toda la información en un lugar seguro para futuras consultas.
3. Siga las instrucciones indicadas.
4. Siga todas las advertencias. No quite las instrucciones de seguridad ni cualquier otra información indicada en el equipo.
5. Utilice el equipo únicamente según la finalidad prevista.
6. Utilice solo soportes y fijaciones que sean robustos y adecuados cuando instale el equipo en instalaciones fijas. Asegúrese de que los soportes de pared están correctamente instalados y firmemente fijados. Asegúrese de que el equipo está sólidamente instalado y no se puede caer.
7. Al instalar el equipo, respete las normas de seguridad aplicables en su país.
8. Evite instalar el equipo cerca de radiadores, acumuladores de calor, estufas o cualquier otra fuente de calor. Asegúrese de que el equipo esté instalado en un lugar con ventilación suficiente para evitar cualquier sobrecalentamiento.
9. No coloque sobre el equipo fuentes de llamas sin protección, por ejemplo, velas encendidas.
10. Evite bloquear las rejillas de ventilación.
11. No utilice este equipo cerca del agua (excepto los equipos específicamente diseñados para uso en exterior, en cuyo caso tenga en cuenta las indicaciones mencionadas a continuación). No exponga este equipo a materiales, líquidos o gases inflamables.
12. Evite exponer el equipo a gotas o salpicaduras que puedan caer dentro del mismo. No coloque recipientes llenos de líquido, como floreros o vasos, sobre el equipo.
13. Asegúrese de no dejar caer ningún objeto dentro del equipo.
14. Emplee el equipo únicamente con los accesorios recomendados por el fabricante.
15. No abra el equipo ni intente modificarlo.
16. Una vez conectado el equipo, compruebe que en toda la longitud del cableado no hay peligro de que provoque una caída, por ejemplo.
17. Durante el transporte, asegúrese de que el equipo no se caiga y pueda causar daños personales o materiales.
18. Si el equipo no funciona correctamente, o si se ha vertido líquido sobre él, o si un objeto ha caído en su interior o si ha sufrido algún desperfecto, apague inmediatamente el equipo y desenchufe el cable eléctrico (si se trata de un equipo activo). Únicamente un técnico especialista debe reparar el equipo.
19. Para limpiar el equipo utilice un paño seco.
20. Procure seguir las normas vigentes en su país sobre reciclaje de desechos. Separe los componentes de plástico, papel y cartón del paquete para reciclarlos en sus contenedores respectivos.
21. No deje las bolsas de plástico al alcance de los niños.

PARA LOS EQUIPOS CON TOMA ELÉCTRICA:

22. ADVERTENCIA: Si el cable eléctrico está provisto de un contacto de protección, debe conectarse a una toma eléctrica con conexión a tierra. No desactivar nunca esta conexión de protección a tierra del cable eléctrico.
23. Si el equipo ha estado expuesto a un cambio brusco de temperatura (por ejemplo, después del transporte), no lo encienda inmediatamente. La condensación o la humedad podrían dañar el equipo. Deje que el equipo alcance la temperatura ambiente antes de encenderlo.
24. Antes de conectar el cable eléctrico a la toma de corriente, compruebe si la tensión y la frecuencia del suministro eléctrico coinciden con las especificaciones de este equipo. Si el equipo dispone de un selector de tensión, antes de enchufarlo a la red eléctrica, asegúrese de que el valor seleccionado coincide con la tensión de suministro. Si el enchufe o el adaptador de corriente no encajan en la toma eléctrica, consulte a un electricista.
25. Asegúrese de que el cable eléctrico no está pinzado. Evite que el cable resulte pellizcado, sobre todo en los extremos de conexión al equipo y en la toma eléctrica.
26. Al conectar el equipo, asegúrese de que el cable eléctrico o el adaptador de corriente estén siempre accesibles. Desconecte el equipo de la toma de corriente cuando no esté en uso o antes de limpiarlo. Para ello,



SEGURIDAD:

desconecte el cable eléctrico y el adaptador de corriente del conector del equipo en vez de desenchufar el cable de la toma eléctrica. No tocar el cable eléctrico ni el adaptador de corriente con las manos húmedas.

27. No encienda y apague el equipo en cortos intervalos de tiempo, ya que se reduce así la vida útil del sistema.

28. **NOTA IMPORTANTE:** Sustituya los fusibles únicamente por otros del mismo tipo y de las mismas características. Si el fusible se funde continuamente, póngase en contacto con un servicio técnico autorizado.

29. Para desconectar completamente el equipo de la tensión eléctrica, desenchufe el cable eléctrico o el adaptador de corriente de la toma eléctrica.

30. Si el equipo dispone de un enchufe eléctrico Volex, deberá desbloquearse el Volex del equipo para desenchufarlo. Esto implica que un tirón en el cable eléctrico puede desplazar el equipo y provocar daños personales o materiales. Por tanto, asegúrese de instalar los cables con sumo cuidado.

31. Si es probable que caiga un rayo por una tormenta eléctrica o si no va a emplear el equipo durante mucho tiempo, desenchufe el cable eléctrico y el adaptador de corriente.



ADVERTENCIA:

Para evitar el riesgo de descarga eléctrica, no retire la tapa. El equipo no contiene piezas que el usuario pueda reparar o sustituir. Para cualquier tarea de mantenimiento o reparación, acuda a un técnico cualificado.



El símbolo de rayo dentro de un triángulo equilátero advierte al usuario de la presencia de tensiones peligrosas sin aislamiento dentro del equipo que pueden causar una descarga eléctrica y suponer un riesgo para la salud.



El símbolo de exclamación dentro de un triángulo equilátero advierte al usuario de la existencia de importantes instrucciones de uso y mantenimiento.

¡ATENCIÓN! INFORMACIÓN IMPORTANTE SOBRE LOS PRODUCTOS DE ILUMINACIÓN

1. No mire el haz de luz desde una distancia inferior a 40 cm.
2. No mire el haz de luz de cerca durante periodos prolongados.
3. No mire directamente el haz de luz con instrumentos ópticos, como lentes de aumento.
4. ¡Los efectos estroboscópicos pueden a veces causar convulsiones en personas fotosensibles! Las personas con epilepsia deben evitar los lugares en los que se usan luces estroboscópicas.

Este producto ha sido desarrollado para uso profesional en el sector de eventos y no está diseñado para la iluminación doméstica.

ENGLISH

DEUTSCH

FRANCAIS

ESPAÑOL

POLSKI

ITALIANO



INTRODUCCIÓN:

FOCO PAR LED COB 30 W RGB (CLPSTMINICOB30W/WH)

CONTROLES:

- Control DMX de 2 canales, 3 canales (1), 3 canales (2) y 6 canales
- Control individual de los colores rojo, verde y azul

CARACTERÍSTICAS:

- 1 LED COB tricolor brillante (30 W)
- Control por sonido mediante micrófono interno
- Velocidad de cambio del color y efecto estrobo ajustables mediante el panel de control
- Cambios multicolor
- Funciones Maestro/Esclavo
- Robusta carcasa metálica
- Consumo: 15 W
- LEDs de larga duración
- Soporte doble

FUNCIÓN:

El foco LED COB de Cameo de alta eficiencia con mezclador de colores RGB ofrece una distribución uniforme del color y se controla por DMX-512. Dispone de tres grupos de colores (rojo, verde y azul) cuya intensidad se puede controlar individualmente, lo que permite crear una gama infinita de colores.

El foco de LED de Cameo funciona en modo autónomo, maestro/esclavo, activado por sonido o controlado por DMX-512.

ENGLISH

DEUTSCH

FRANCAIS

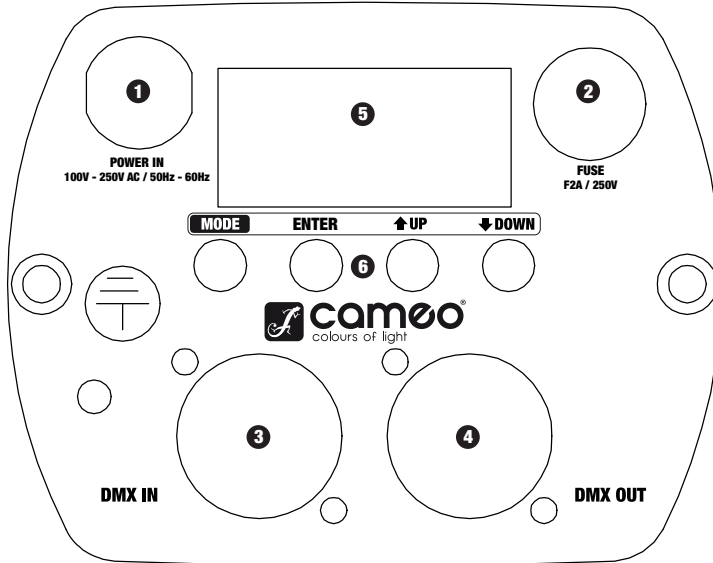
ESPAÑOL

POLSKI

ITALIANO



PANEL POSTERIOR:



1 POWER IN

Para la conexión de un cable eléctrico de 1 m con conector Schuko.

2 FUSE (PORTAFUSIBLES)

NOTA IMPORTANTE: Sustituya el fusible únicamente por otro del mismo tipo y características. Si el fusible se fundiera continuamente, póngase en contacto con un servicio técnico autorizado.

3 DMX IN

Conector XLR de entrada de 3 pines para conectar un equipo de control DMX (como un controlador DMX).

4 DMX OUT

Conector XLR de salida de 3 pines para reenviar la señal de control DMX.

5 PANTALLA LED

Muestra el modo de funcionamiento y otros ajustes del sistema.

6 BOTONES DE AJUSTE

Estos 4 botones permiten realizar los ajustes del sistema de manera rápida y fácil.

ENGLISH

DEUTSCH

FRANCAIS

ESPAÑOL

POLSKI

ITALIANO



OPERACIÓN:

MODO COLOR FIJO

Pulse el botón MODE hasta que aparezca "C000" en la pantalla. Pulse el botón ENTER y utilice los botones UP (arriba) y DOWN (abajo) para seleccionar uno de los colores fijos o el efecto estrobo ("C1" para rojo, "C2" para verde, "C3" para azul y "CF" para estrobo). Los dos últimos dígitos indican la intensidad del color ajustable de 00 a 99, y en el caso de "CF" indica la velocidad del estrobo. Ejemplos: Si ajusta C1, C2 y C3 a cero "00", en el foco no se iluminará ningún LED (oscurecimiento). Si ajusta C1 a "99", y C2 y C3 a cero "00", el foco será 100% rojo.

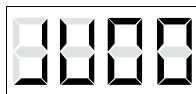


MODE ENTER ↑UP ↓DOWN

CAMBIO DE COLOR

Pulse el botón MODE hasta que aparezca "JU00" en la pantalla. El foco funcionará ahora en el modo Cambio de color. A continuación, pulse ENTER y utilice los botones UP (arriba) y DOWN (abajo) para seleccionar la función 7 colores "JU00" o el estrobo "JF00". Para ajustar la velocidad de cambio de color y del estrobo (00 a 99), pulse ENTER de nuevo y luego seleccione el valor con los botones UP y DOWN. Confirme con el botón ENTER.

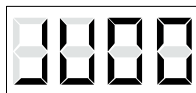
Nota: Se pueden utilizar simultáneamente ambas funciones.



MODE ENTER ↑UP ↓DOWN

7 COLORES

Ajustable de 00 a 99



MODE ENTER ↑UP ↓DOWN

ESTROBO

Ajustable de 00 a 99



MODE ENTER ↑UP ↓DOWN



OPERACIÓN:

ATENUACIÓN DEL COLOR (FADE)

Pulse el botón MODE hasta que aparezca "FA00" en la pantalla. El foco funcionará ahora en el modo Atenuación del color. A continuación, pulse ENTER y utilice los botones UP (arriba) y DOWN (abajo) para seleccionar la función 7 colores "FA00" o estrobo "FF00". Para ajustar la velocidad de atenuación de color y del estrobo (00 a 99), pulse ENTER de nuevo y luego seleccione el valor con los botones UP y DOWN. Confirme con el botón ENTER.

Nota: Se pueden utilizar simultáneamente ambas funciones.

7 COLORES

Ajustable de 00 a 99

ESTROBO

Ajustable de 00 a 99

MODO AUTOMÁTICO

Pulse el botón MODE hasta que aparezca "AUTO" en la pantalla. El equipo cambiará automáticamente entre el modo Cambio de color y el modo Atenuación del color. La velocidad de cambio y atenuación del color se puede preajustar a través de los modos Cambio de color y Atenuación del color.

MODO ESCLAVO

Pulse el botón MODE hasta que aparezca "SLAV" (esclavo) en la pantalla. Conecte los equipos maestro y esclavo con un cable DMX. Ahora el equipo esclavo seguirá al equipo maestro. Confirme con el botón ENTER.



ENGLISH

DEUTSCH

FRANCAIS

ESPAÑOL

POLSKI

ITALIANO



OPERACIÓN:

ACTIVACIÓN POR SONIDO

Pulse el botón MODE hasta que aparezca "SU00" en la pantalla. En este modo, el equipo seguirá el ritmo de la música por medio del micrófono incorporado. Pulse el botón ENTER y utilice los botones UP y DOWN para ajustar la sensibilidad del micrófono (0 a 99). Confirme con el botón ENTER.



SELECCIÓN DEL MODO DMX

Pulse el botón MODE hasta que en pantalla se muestre uno de los cuatro modos DMX posibles (2Ch, 3Ch1, 3Ch2, 6Ch). Pulse el botón ENTER y seleccione el modo DMX con los botones UP y DOWN. Confirme con el botón ENTER.



AJUSTE DE LA DIRECCIÓN DMX

Pulse el botón MODE hasta que en pantalla se muestre "A" seguido de tres dígitos. Pulse el botón ENTER y con los botones UP y DOWN seleccione la dirección inicial DMX (A001 a A512). Confirme con el botón ENTER.

Nota: para que el foco funcione en el modo DMX, debe establecer la dirección inicial DMX.



NOTA

La pantalla LED se apagará automáticamente al cabo de 20 segundos sin pulsar ninguno de los 4 botones. Al pulsar uno de los cuatro botones, la pantalla LCD se volverá a iluminar.

OBSERVACIÓN

Para concentrar el ángulo de apertura del haz de luz de 55° a 40°, coloque la lente suministrada en el soporte correspondiente.

ENGLISH

DEUTSCH

FRANÇAIS

ESPAÑOL

POLSKI

ITALIANO



CONTROL DMX:

ENGLISH

DEUTSCH

FRANCAIS

ESPAÑOL

POLSKI

ITALIANO

MODO 2 CANALES

CANAL	VALOR	FUNCIÓN
1	000 - 255	Atenuador Maestro (0 a 100%)
2	000 - 255	Mezcla de colores con macro
	000 - 031	Oscurecimiento
	032 - 063	Rojo
	064 - 095	Verde
	096 - 127	Azul
	128 - 159	Amarillo
	160 - 191	Cian
	192 - 223	Magenta
	224 - 255	Blanco
000 - 255	Cambio de color con macro	

MODO 3 CANALES (1)

CANAL	VALOR	FUNCIÓN
1	000 - 255	Atenuador Maestro (0 a 100%)
2	000 - 255	Estrobo (ajustable de 0 a 100%)
3	000 - 004	Oscurecimiento
	005 - 080	Mezcla de colores con macro (rojo, verde, azul, amarillo, cian, magenta, blanco)
	081 - 150	Cambio de color (ajustable)
	151 - 220	Atenuación de color (ajustable)
	221 - 255	Control por sonido (sensibilidad del micrófono)



MODO DMX:

MODO 3 CANALES (2)		
CANAL	VALOR	FUNCIÓN
1	000 - 255	Rojo (0 a 100%)
2	000 - 255	Verde (0 a 100%)
3	000 - 255	Azul (0 a 100%)

MODO 6 CANALES		
CANAL	VALOR	FUNCIÓN
1	000 - 255	Atenuador Maestro (0 a 100%)
2	000 - 255	Estrobo (ajustable de 0 a 100%)
3	000 - 255	Rojo (0 a 100%)
4	000 - 255	Verde (0 a 100%)
5	000 - 255	Azul (0 a 100%)
6	000 - 004	Oscurecimiento
	005 - 080	Mezcla de colores con macro (rojo, verde, azul, amarillo, cian, magenta, blanco)
	081 - 150	Cambio de color (ajustable)
	151 - 220	Atenuación de color (ajustable)
	221 - 255	Control por sonido (sensibilidad del micrófono)

ENGLISH

DEUTSCH

FRANÇAIS

ESPAÑOL

POLSKI

ITALIANO



CONEXIONADO DMX:

DMX-512

DMX (Digital Multiplex) es el nombre de un protocolo universal utilizado como medio de comunicación entre dispositivos y controladores. El controlador DMX envía datos DMX a los equipos DMX conectados. Los datos DMX se envían como datos serie que se transmiten de equipo a equipo a través de los conectores XLR "DMX IN" y "DMX OUT" que se encuentran en todos los equipos DMX. La mayoría de los controladores tienen un solo conector "DMX OUT" de salida de datos.

CONEXIONADO DMX:

DMX es un lenguaje que permite que todas las marcas y modelos de diferentes fabricantes puedan conectarse entre sí y funcionar desde un mismo controlador, siempre y cuando todos los equipos y el controlador sean compatibles con DMX. Para garantizar la correcta transmisión de los datos DMX, el cable de conexión entre los equipos debe mantenerse lo más corto posible. El orden en que se conectan los equipos en una cadena DMX no influye en el direccionamiento DMX. Por ejemplo, un equipo al que se le asigna la dirección DMX 1 puede colocarse en cualquier lugar de la cadena DMX, ya sea al principio, al final, o en cualquier lugar intermedio. Cuando a un equipo se le asigna la dirección DMX 1, el controlador DMX enviará los datos asignados a la dirección 1 a dicho equipo, independientemente de dónde se encuentre en la cadena DMX.



Las series 3 STAR, 4 STAR y 5 STAR de Adam Hall ofrecen una amplia gama de cables DMX apropiados.

CONEXIÓN EN CADENA DE VARIOS FOCOS

- 1.) Conecte el conector XLR macho de 3 pines del cable DMX a la salida DMX (conector de chasis hembra de 3 pines) del primer foco o equipo DMX.
- 2.) Conecte ahora el conector XLR hembra de 3 pines del cable DMX del primer foco a la entrada DMX del equipo siguiente (conector de chasis macho de 3 pines). Conecte la salida DMX de este último equipo a la entrada DMX del equipo siguiente, y así sucesivamente.

Tenga en cuenta que los dispositivos DMX están conectados en serie y que las conexiones no se pueden dividir sin un splitter activo.

ENGLISH

DEUTSCH

FRANCAIS

ESPAÑOL

POLSKI

ITALIANO



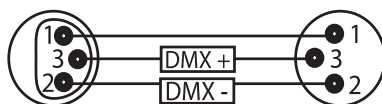
CABLES DMX:

NOTA:

• Si fabrica sus propios cables, tenga en cuenta las figuras de esta página. No conecte la malla del cable al contacto de masa del conector ni permita que la malla entre en contacto con la carcasa del conector XLR. Si se produce un contacto de la malla con la masa, puede producir un cortocircuito y un funcionamiento inestable del equipo.

Conexión habitual

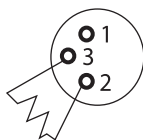
Salida DMX-512
XLR de 3 pines



Entrada DMX-512
XLR de 3 pines

NOTA ESPECIAL SOBRE LA TERMINACIÓN DE LA LÍNEA (TERMINADOR):

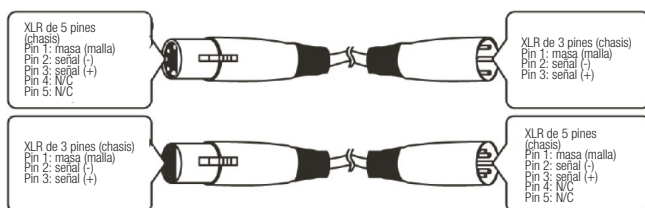
• En largas tiradas de cable, es posible que tenga que utilizar una resistencia de terminación en el último equipo de la cadena para que el sistema funcione correctamente.



Una terminación reduce los problemas de transmisión de la señal y las interferencias. Se recomienda conectar un terminador DMX, (resistencia de 120 ohmios y 1/4 W) entre el pin 2 (DMX-) y el pin 3 (DMX+) del último equipo de la cadena.

El uso de un terminador (Ref. K3DMXT3) reduce las posibilidades de un funcionamiento inestable.

• Algunos fabricantes utilizan conectores XLR de 5 pines para la transmisión de datos en lugar de conectores XLR de 3 pines. Se pueden instalar equipos con conectores XLR de 5 pines en una cadena DMX con XLR de 3 pines. En tal caso, deberá utilizarse un adaptador de cable. En la siguiente figura se muestra la asignación de pines de dicho adaptador de cable.





CARACTERÍSTICAS TÉCNICAS:

ENGLISH

DEUTSCH

FRANCAIS

ESPAÑOL

POLSKI

ITALIANO

Nombre del modelo:	CLPSTMINICOB30W
Tipo de producto:	Foco PAR LED
Tipo:	Studio Mini PAR
Colores:	RGB
Número de LEDs:	1
Tipo de LEDs:	30 W COB
Ángulo de dispersión:	55° (40° con lente)
Entrada DMX:	XLR de 3 pines macho
Salida DMX:	XLR de 3 pines hembra
Modos DMX:	2 canales, 3 canales (1), 3 canales (2), 6 canales
Funciones DMX:	Atenuador Maestro, Cambio de color, Atenuación de color, Control por sonido, Estrobo, RGB
Modos Autónomo:	Cambio de color, Atenuación de color, Modo automático, Control por sonido, Estrobo, Color fijo, modo maestro/esclavo
Controles:	Mode, Enter, Up, Down
Indicadores:	Pantalla LED de 4 dígitos
Alimentación eléctrica:	100 a 250 VAC, 50/60 Hz
Consumo:	15 W
Conexión de alimentación eléctrica:	Cable eléctrico de 1 m con Schuko
Material de la carcasa:	Metal
Color de la carcasa:	Negra (CLPSTMINICOB30W) Blanca (CLPSTMINICOB30WWH)
Sistema de refrigeración:	Ventilador
Dimensiones (An x Al x F, sin soporte):	168 x 183 x 186
Peso:	2 kg
Otras características:	Soporte doble y portafiltras con lente suministrados



DECLARACIÓN DEL FABRICANTE:

GARANTÍA DEL FABRICANTE

La presente garantía cubre las marcas Adam Hall, LD Systems, Defender, Palmer y Cameo.

Se aplica a todos los productos distribuidos por Adam Hall.

No afecta a los derechos de garantía legal que asume el fabricante. De hecho, le concede al usuario derechos adicionales ante Adam Hall, independientes de la garantía legal.

Adam Hall garantiza que el producto que ha adquirido de Adam Hall o de un distribuidor autorizado de Adam Hall estará exento de defectos de material y fabricación, en condiciones normales de uso, durante un período de 2 o 5 años (consúltese el producto concreto) a partir de la fecha de compra.

La garantía limitada entra en vigor el día de la fecha de compra. Para tener derecho a esta garantía será necesario presentar un justificante de compra válido en el que figure la fecha de compra del producto, por ejemplo, la factura o el albarán de entrega. Si el producto que ha adquirido necesitara una reparación durante la vigencia de la garantía limitada, tendrá derecho a obtener los servicios de garantía conforme a los términos y condiciones establecidos en este documento.

Durante el periodo de garantía limitada, Adam Hall se compromete a reparar o sustituir las piezas defectuosas del producto. En caso de reparación o sustitución dentro del período de garantía, las piezas originales y productos retirados pasarán a ser propiedad de Adam Hall.

En el caso poco probable de que se produzca un fallo recurrente en el producto adquirido, Adam Hall, a su entera discreción, podrá optar por sustituir dicho producto defectuoso por otro de similares características.

Adam Hall no garantiza el funcionamiento ininterrumpido y sin fallos de este producto. Además, Adam Hall no se hace responsable de los posibles daños ocasionados por no seguir las instrucciones de uso suministradas con el producto Adam Hall. Esta garantía no se aplica - a los consumibles (baterías, etc.) - a los productos cuyo número de serie ha sido borrado, o que han quedado dañados y defectuosos debido a un accidente - en caso de defectos ocasionados por una incorrecta utilización o manipulación, o cualquier otra causa ajena

- en caso de utilización del producto no conforme con los parámetros establecidos en la documentación facilitada con el producto

- en caso de utilización de piezas de repuesto no fabricadas, no recomendadas ni vendidas por Adam Hall

- si el producto ha sido modificado o reparado por personal no autorizado por Adam Hall.

Estos términos y condiciones constituyen el acuerdo de garantía íntegro y exclusivo entre usted y Adam Hall en relación con el producto Adam Hall que acaba de adquirir.



DECLARACIÓN DEL FABRICANTE:

LIMITACIÓN DE RESPONSABILIDAD

Si durante el período de garantía aparecen defectos de material o de fabricación en su producto Adam Hall (de acuerdo con las garantías mencionadas en este documento), tendrá derecho exclusivamente a la reparación o sustitución del mismo. La responsabilidad máxima de Adam Hall en virtud de los términos de esta garantía está limitada al menor importe que resulte del precio de compra del producto, del coste de la reparación o la sustitución de las piezas que han dejado de funcionar en condiciones normales de uso.

Adam Hall no será responsable de ningún daño causado por el producto o por el mal funcionamiento del producto, incluidas la pérdida de beneficios, la pérdida de ahorros o cualquier consecuencia derivada de dichas pérdidas. Además, Adam Hall no se hará responsable de ninguna reclamación presentada por un tercero o por el comprador original en nombre de un tercero.

Esta limitación de responsabilidad se aplicará con independencia de que se solicite una indemnización por daños y perjuicios, o se presenten reclamaciones por negligencia, contractuales o de cualquier otra índole, y no podrá ser derogada o modificada. Esta limitación de responsabilidad será efectiva incluso en el caso de que el comprador hubiese avisado previamente a Adam Hall o a alguno de sus representantes de la posibilidad de reclamar daños y perjuicios. No obstante, esta limitación de responsabilidad no tendrá efecto en caso de reclamación por daños personales.

Esta garantía limitada le otorga derechos legales específicos. Puede que posea derechos adicionales conforme a la legislación del país o Estado en el que se encuentre. Le recomendamos que consulte la legislación vigente en su país o Estado para conocer el alcance de sus derechos.

APLICACIÓN DE LA GARANTÍA

Para solicitar asistencia técnica en relación con el producto en garantía, póngase en contacto con Adam Hall o con el distribuidor autorizado donde adquirió el producto.

DECLARACIÓN CE DE CONFORMIDAD

Los productos distribuidos por Adam Hall cumplen (según proceda) los requisitos esenciales de las Directivas europeas 1999/5/CE (Equipos radioeléctricos y equipos terminales de telecomunicación, R&TTE), 2004/108/CE (Compatibilidad Electromagnética) y 2006/95/CE (Baja Tensión), así como las correspondientes cláusulas adicionales. Para más información consulte www.adamhall.com.

ENGLISH

DEUTSCH

FRANCAIS

ESPAÑOL

POLSKI

ITALIANO



DECLARACIÓN DEL FABRICANTE:

ELIMINACIÓN CORRECTA DE ESTE PRODUCTO

(Aplicable en la Unión Europea y en los países europeos que dispongan de un sistema de recogida selectiva)



El símbolo que aparece sobre el producto o en la documentación adjunta indica que al final de la vida útil del equipo, no deberá desecharlo con los demás residuos domésticos, con el fin de evitar posibles efectos negativos en el medio ambiente y en la salud humana debidos al vertido incontrolado de desechos. La recogida selectiva ayuda a su posterior reciclaje y fomenta la reutilización sostenible de los componentes de este equipo.

Si es un particular, póngase en contacto con el distribuidor donde adquirió este producto, o con el ayuntamiento, para informarse sobre el reciclaje adecuado de este equipo.

Si es una empresa, póngase en contacto con su proveedor para informarse sobre los términos y condiciones de su contrato de compra-venta. Este producto no debe mezclarse con otros residuos industriales.

PROTECCIÓN MEDIOAMBIENTAL Y AHORRO ENERGÉTICO

Ahorre energía eléctrica para proteger el medio ambiente. Para ello, apague todos los aparatos eléctricos cuando no estén en uso. Además, para evitar el consumo de energía en modo En espera, desenchufe todo aparato eléctrico de la toma de corriente cuando no esté en uso.

Adam Hall GmbH. Todos los derechos reservados. Los datos técnicos y las características funcionales del producto están sujetos a modificaciones. Se prohíbe la fotocopia, traducción y cualquier otra forma de reproducción parcial o total de este manual de usuario.



ENGLISH

DEUTSCH

FRANCAIS

ESPAÑOL

POLSKI

ITALIANO



ENGLISH

DEUTSCH

FRANÇAIS

ESPAÑOL

POLSKI

ITALIANO

Dziękujemy za wybór marki Cameo Light!

Zaprojektowaliśmy ten produkt tak, aby działał niezawodnie przez wiele lat.

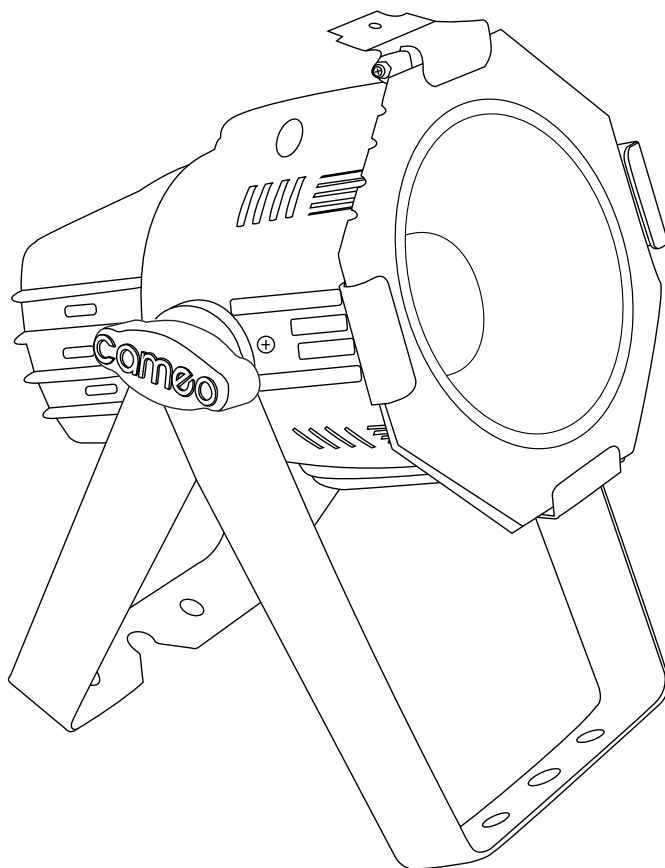
Prosimy o dokładne zapoznanie się z niniejszą instrukcją, ponieważ chcemy, abyś szybko mógł cieszyć się w pełni swoim nowym produktem Cameo Light.

Więcej informacji o marce Cameo Light znajduje się na naszej stronie internetowej WWW.CAMEOLIGHT.COM



REFLEKTOR LED **MINI** PAR

REFLEKTOR 30 W COB LED PAR RGB CLPSTMINICOB30W



ENGLISH

DEUTSCH

FRANCAIS

ESPAÑOL

POLSKI

ITALIANO



ŚRODKI OSTROŻNOŚCI:

1. Należy dokładnie przeczytać niniejszą instrukcję.
2. Wszystkie informacje i instrukcje przechowywać w bezpiecznym miejscu.
3. Należy przestrzegać zaleceń.
4. Należy przestrzegać wszystkich wskazówek ostrzegawczych. Nie wolno usuwać wskazówek bezpieczeństwa ani innych informacji znajdujących się na urządzeniu.
5. Używać urządzenia wyłącznie w sposób zgodny z jego przeznaczeniem.
6. Stosować wyłącznie stabilne i pasujące statywy, ew. elementy mocujące (w przypadku instalacji stałych).
7. Należy zadbać o prawidłową instalację uchwytów ściennych i ich odpowiednie zabezpieczenie. Zapewnić bezpieczną instalację urządzenia i upewnić się, że urządzenie nie spadnie.
8. Podczas instalacji przestrzegać obowiązujących w danym kraju przepisów bezpieczeństwa.
9. Urządzenie instalować i eksploatować z dala od grzejników, zasobników ciepła, pieców i innych źródeł ciepła. Zadbać o zainstalowanie urządzenia w taki sposób, aby zawsze było ono wystarczająco chłodzone i nie mogło ulec przegrzaniu.
10. Nie umieszczać na urządzeniu źródeł zapłonu, takich jak np. palące się świece.
11. Nie wolno blokować szczelin wentylacyjnych.
12. Nie używać urządzenia w bezpośrednim sąsiedztwie wody (nie dotyczy specjalnych urządzeń do stosowania na zewnątrz – w takim przypadku należy przestrzegać podanych poniżej wskazówek specjalnych). Urządzenie nie może mieć kontaktu z palnymi materiałami, płynami ani gazami.
13. Zabezpieczyć urządzenie przed wniknięciem kapiącej lub pryskającej wody. Nie wolno stawiać na urządzeniu pojemników napełnionych płynami, takich jak wazon czy naczynia z piciem.
14. Należy zadbać o to, aby do urządzenia nie wpadały żadne przedmioty.
15. Urządzenie można eksploatować tylko przy użyciu akcesoriów zalecanych i przewidzianych przez producenta.
16. Nie otwierać urządzenia ani nie dokonywać w nim zmian.
17. Po podłączeniu urządzenia sprawdzić wszystkie ciągi kablowe, aby zapobiec szkodom lub wypadkom np. w wyniku potknięcia.
18. Podczas transportu zadbać o to, aby urządzenie nie upadło, gdyż może to spowodować uszkodzenie mienia i obrażenia ciała.
19. Jeśli urządzenie nie działa prawidłowo, do jego wnętrza dostały się płyny lub przedmioty lub jeśli urządzenie zostało uszkodzone w inny sposób, należy je natychmiast wyłączyć i odłączyć od gniazda sieciowego (jeśli urządzenie jest aktywne). Naprawę takiego urządzenia może wykonać tylko autoryzowany personel specjalistyczny.
20. Do czyszczenia urządzenia stosować suchą ściereczkę.
21. Przestrzegać obowiązujących w danym kraju przepisów dotyczących usuwania odpadów. Podczas utylizacji opakowania oddzielić tworzywo sztuczne od papieru i tektury.
22. Worki z tworzywa sztucznego należy przechowywać w miejscu niedostępnym dla dzieci.

DOTYCZY URZĄDZEŃ Z ZASILANIEM SIECIOWYM:

22. UWAGA: jeśli kabel sieciowy urządzenia jest wyposażony w zestyk ochronny, należy go podłączyć do gniazda z przewodem uziemiającym. Nigdy nie wolno dezaktywować przewodu uziemiającego kabla sieciowego.
23. Nie włączać urządzenia bezpośrednio po narażeniu go na silne wahania temperatury (np. po transporcie). Wilgoć i skropliny mogą uszkodzić urządzenie. Włączyć urządzenie dopiero wtedy, gdy osiągnie temperaturę pokojową.
24. Przed podłączeniem urządzenia do gniazda elektrycznego należy sprawdzić, czy napięcie i częstotliwość sieci elektrycznej odpowiada wartościom podanym na urządzeniu. Jeśli urządzenie jest wyposażone w przełącznik napięcia, należy podłączyć je do gniazda tylko wówczas, gdy wartości urządzenia odpowiadają wartościom sieci elektrycznej. Jeśli dołączony kabel sieciowy lub dołączony adapter sieciowy nie pasuje do gniazda elektrycznego, należy skontaktować się z elektrykiem.
25. Nie stawiać na kablu sieciowym. Należy zadbać o to, aby kable przewodzące napięcie nie były zagięte przy gnieździe sieciowym, przy adapterze sieciowym ani przy gnieździe urządzenia.



BEZPIECZEŃSTWO:

26. Przy podłączaniu urządzenia zawsze należy zadbać o to, aby kabel sieciowy lub adapter sieciowy był zawsze łatwo dostępny. Odłączyć urządzenie od źródła zasilania, gdy nie jest ono używane lub gdy ma zostać poddane czyszczeniu. Zawsze należy wyjmować kabel sieciowy i adapter sieciowy z gniazda, chwytając za wtyczkę lub adapter, a nie za kabel. Nigdy nie dotykać kabla sieciowego i adaptera sieciowego mokrymi dłońmi.

9. W miarę możliwości nie włączać i wyłączać urządzenia w krótkich odstępach czasu, gdyż może to mieć negatywny wpływ na jego żywotność.

28. **WAŻNA INFORMACJA:** bezpieczniki należy wymieniać wyłącznie na bezpieczniki tego samego typu i o takich samych wartościach. Jeśli bezpiecznik stale się przepala, należy skontaktować się z autoryzowanym centrum serwisowym.

29. Aby całkowicie odłączyć urządzenie od sieci, należy wyjąć kabel sieciowy lub adapter sieciowy z gniazda.

30. Jeśli urządzenie jest wyposażone w przyłącze sieciowe Volex, konieczne jest odblokowanie odpowiedniej wtyczki urządzenia Volex, zanim będzie możliwe jej odłączenie. Oznacza to także, iż w wyniku pociągnięcia za kabel urządzenie może się przesunąć i spaść, co może spowodować obrażenia ciała i/lub inne szkody, dlatego ważne jest, aby przewody były odpowiednio poprowadzone.

31. W przypadku zagrożenia uderzeniem pioruna lub jeśli urządzenie przez dłuższy czas nie jest używane, należy wyjąć kabel sieciowy i adapter sieciowy z gniazda.



UWAGA:

Nigdy nie wolno zdejmować pokrywy, gdyż grozi to porażeniem prądem. We wnętrzu urządzenia nie ma żadnych części, które mogłyby zostać naprawione bądź poddane czynnościom konserwacyjnym przez użytkownika. Naprawy może przeprowadzać wyłącznie wykwalifikowany personel serwisowy.



Trójkąt równoramienny z symbolem błyskawicy oznacza niezaizolowane, „niebezpieczne” napięcie w urządzeniu, które może spowodować niebezpieczne dla zdrowia porażenie prądem.



Trójkąt równoramienny z wykrzyknikiem oznacza ważne wskazówki dotyczące obsługi i wskazówki ostrzegawcze.

OSTROŻNIE! WAŻNE WSKAZÓWKI DOTYCZĄCE PRODUKTÓW OŚWIETLENIOWYCH

1. Nie spoglądać w stronę promienia świetlnego z odległości mniejszej niż 40 cm.
2. Nigdy nie spoglądać przez dłuższy czas z krótkiej lub średniej odległości w stronę promienia świetlnego.
3. Nigdy nie spoglądać w stronę promienia świetlnego przy pomocy urządzeń optycznych, takich jak np. szkło powiększające.
4. Światło stroboskopowe może u wrażliwych osób powodować drgawki. Chorzy na padaczkę powinny bezwzględnie unikać miejsc, w których używa się tego typu lamp.

Produkt powstał z myślą o profesjonalnych zastosowaniach w branży estradowej i nie jest przeznaczony do oświetlania pomieszczeń w gospodarstwach domowych.

ENGLISH

DEUTSCH

FRANCAIS

ESPAÑOL

POLSKI

ITALIANO



WPROWADZENIE:

REFLEKTOR 30 W COB LED PAR RGB

(CLPSTMINICOB30W/WH)

FUNKCJE STEROWANIA:

- 2-kanałowe, 3-kanałowe 1, 3-kanałowe 2, 6-kanałowe sterowanie DMX
- niezależne sterowanie dla kolorów: czerwony, zielony i niebieski

CECHY:

- 1 dioda LED TRI-Colour (30 W) o mocnym świetle
- sterowanie muzyką poprzez wbudowany mikrofon
- możliwość sterowania prędkością zmiany kolorów i efektem stroboskopowym poprzez panel sterujący
- zmiana kolorów Multicolor
- funkcje master/slave
- wytrzymała, metalowa obudowa
- pobór mocy: 15 W
- trwałe diody LED o wyjątkowo długiej żywotności
- podwójny uchwyt

OBSŁUGA:

Niezwykle wydajny reflektor CAMEO COB LED ze sterowaniem DMX 512 oferuje mieszanie kolorów RGB i charakteryzuje się równomiernym rozmieszczeniem kolorów. Intensywność trzech grup kolorów (czerwony, zielony, niebieski) można regulować niezależnie od siebie, dzięki czemu możliwe jest tworzenie nieograniczonej liczby różnych kolorów.

Reflektor Cameo LED może być obsługiwany indywidualnie, jak również w trybie master/slave, poprzez sterowanie muzyką oraz przez protokół DMX 512.

ENGLISH

DEUTSCH

FRANCAIS

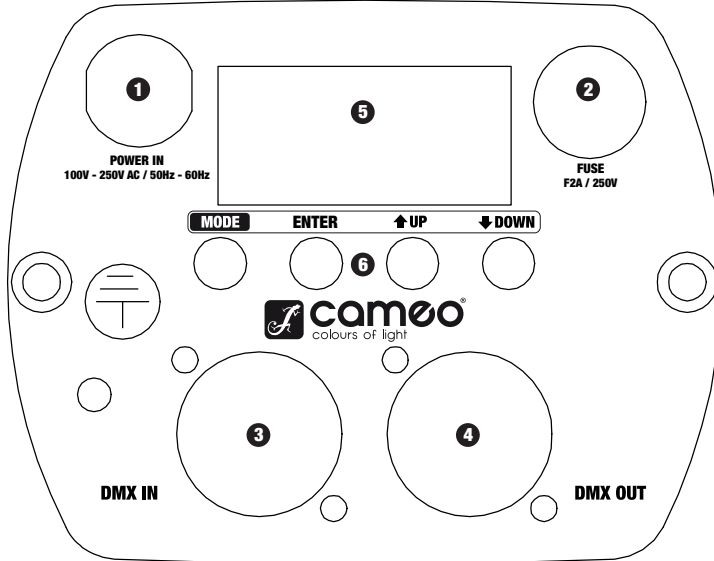
ESPAÑOL

POLSKI

ITALIANO



TYLNA STRONA:



ENGLISH

DEUTSCH

FRANCAIS

ESPAÑOL

POLSKI

ITALIANO

1 POWER IN

Podłączony na stałe kabel sieciowy 1 m z wtyczką Schuko

2 FUSE (PODSTAWA BEZPIECZNIKA)

WAŻNA INFORMACJA: bezpiecznik należy wymieniać wyłącznie na bezpiecznik tego samego typu i o takich samych parametrach. Jeśli bezpiecznik stale się przepala, należy skontaktować się z autoryzowanym centrum serwisowym.

3 DMX IN

3-stykowe gniazdo wejściowe XLR do podłączenia urządzenia kontrolnego DMX (np. pulpitu mikserskiego DMX).

4 DMX OUT

3-stykowe gniazdo wyjściowe XLR do przesyłania sygnału sterowania DMX.

5 WYŚWIETLACZ LED

Wyświetlanie trybów pracy i innych ustawień systemowych.

6 PRZYCISKI OBSŁUGI

4 łatwo dostępne przyciski obsługi umożliwiają wprowadzanie ustawień systemowych.



OBSŁUGA:

KOLOR STATYCZNY

Naciskać przycisk MODE, dopóki na wyświetlaczu nie pojawi się napis „C000”. Nacisnąć przycisk ENTER, a następnie za pomocą przycisków UP i DOWN wybrać żądany kolor lub efekt stroboskopowy („C1” = czerwony, „C2” = zielony, „C3” = niebieski, „CF” = efekt stroboskopowy). Dwie kolejne cyfry oznaczają jasność (00–99), a w trybie „CF” prędkość efektu stroboskopowego. Przykłady: ustawienie C1, C2 i C3 na „00” spowoduje, że wszystkie diody LED reflektora będą wyłączone (zaciemnienie). Ustawienie C1 na „99”, a C2 i C3 na „00” spowoduje, że reflektor będzie świecił w 100% światłem czerwonym.



MODE ENTER ↑ UP ↓ DOWN

ZMIANA KOLORÓW

Naciskać przycisk MODE, dopóki na wyświetlaczu nie pojawi się napis „JU00”. Reflektor pracuje teraz w trybie zmiany kolorów. Następnie nacisnąć przycisk ENTER, aby za pomocą przycisków UP i DOWN wybrać funkcję 7 kolorów „JU00” lub stroboskopu „JF00”. Prędkość zmiany kolorów i efektu stroboskopowego (00–99) należy ustawić poprzez ponowne naciśnięcie przycisku ENTER. Wartości można następnie zmieniać za pomocą przycisków UP i DOWN. Aby potwierdzić wybór, należy ponownie nacisnąć przycisk ENTER.

Wskazówka: obie funkcje mogą być także stosowane jednocześnie.



MODE ENTER ↑ UP ↓ DOWN

7 KOLORÓW

Prędkość 00–99



MODE ENTER ↑ UP ↓ DOWN

STROBOSKOP

Prędkość 00–99



MODE ENTER ↑ UP ↓ DOWN



OBSŁUGA:

ENGLISH

DEUTSCH

FRANCAIS

ESPAÑOL

POLSKI

ITALIANO

PRZENIKANIE KOLORÓW

Naciskać przycisk MODE, dopóki na wyświetlaczu nie pojawi się napis „FA00”. Reflektor pracuje teraz w trybie przenikania kolorów. Następnie nacisnąć przycisk ENTER, aby za pomocą przycisków UP i DOWN wybrać funkcję 7 kolorów „FA00” lub stroboskopu „FF00”. Prędkość przenikania kolorów i efektu stroboskopowego (00–99) należy ustawić poprzez ponowne naciśnięcie przycisku ENTER. Wartości można następnie zmieniać za pomocą przycisków UP i DOWN. Aby potwierdzić wybór, należy ponownie nacisnąć przycisk ENTER.

Wskazówka: obie funkcje mogą być także stosowane jednocześnie.

7 KOLORÓW

Prędkość 00–99

STROBOSKOP

Prędkość 00–99



MODE ENTER ↑UP ↓DOWN



MODE ENTER ↑UP ↓DOWN



MODE ENTER ↑UP ↓DOWN

TRYB AUTOMATYCZNY

Naciskać przycisk MODE, dopóki na wyświetlaczu nie pojawi się napis „AUTO”. W tym trybie pracy reflektor automatycznie przełącza się między trybami zmiany kolorów i przenikania kolorów. Prędkość zmiany lub przenikania kolorów regulowana jest za pomocą ustawień dla danego trybu.



MODE ENTER ↑UP ↓DOWN

TRYB SLAVE

Naciskać przycisk MODE, dopóki na wyświetlaczu nie pojawi się napis „SLAV”. Połączyć jednostki slave i master za pomocą kabla DMX. Jednostka slave jest podrzędna w stosunku do jednostki master. Potwierdzić wprowadzone dane za pomocą przycisku ENTER.



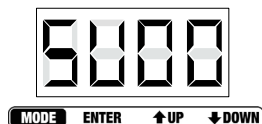
MODE ENTER ↑UP ↓DOWN



OBŚLUGA:

STEROWANIE MUZYKĄ

Naciskać przycisk MODE, dopóki na wyświetlaczu nie pojawi się napis „SU00”. Reflektor jest teraz sterowany poprzez wbudowany mikrofon i pulsuje w rytm muzyki. Ponownie naciśnięcie przycisku ENTER i za pomocą przycisków UP i DOWN ustawić czułość mikrofonu (00–99). Potwierdzić wprowadzone dane za pomocą przycisku ENTER.



WYBÓR TRYBU DMX

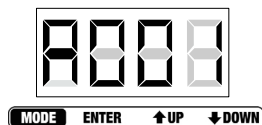
Naciskać przycisk MODE, dopóki na wyświetlaczu nie pojawi się jeden z czterech trybów DMX (2Ch, 3Ch1, 3Ch2, 6Ch). Naciśnięcie przycisku ENTER i za pomocą przycisków UP i DOWN wybrać żądany tryb DMX. Potwierdzić wprowadzone dane za pomocą przycisku ENTER.



USTAWIANIE ADRESU DMX

Naciskać przycisk MODE, dopóki na wyświetlaczu nie pojawi się napis „A” i trzy dodatkowe cyfry. Naciśnięcie przycisku ENTER i za pomocą przycisków UP i DOWN wybrać żądany adres startowy DMX (A001–A512). Potwierdzić wprowadzone dane za pomocą przycisku ENTER.

Wskazówka: aby reflektor mógł pracować w trybie DMX, należy ustawić tryb adresu startowego DMX.



WSKAZÓWKA

Jeśli przez ok. 20 sekund żaden z 4 przycisków nie zostanie naciśnięty, wyświetlacz LED automatycznie się wyłączy. Po naciśnięciu dowolnego z 4 przycisków wyświetlacz ponownie się włączy.

UWAGA

Aby zmienić zogniskowanie wiązki światła z 55° na 40°, należy umieścić dostarczoną wraz z reflektorem soczewkę w przewidzianym do tego celu uchwycie.

ENGLISH

DEUTSCH

FRANCAIS

ESPAÑOL

POLSKI

ITALIANO



STEROWANIE DMX:

TRYB 2-KANAŁOWY		
KANAŁ	WARTOŚĆ	FUNKCJA
CH1	000–255	Master – ściemnianie (0–100%)
CH2	000–255	Kolory makro
	000–031	Zaciemnienie
	032–063	Czerwony
	064–095	Zielony
	096–127	Niebieski
	128–159	Żółty
	160–191	Cyjan
	192–223	Magenta
	224–255	Biały
000–255	Kolory (zmiana kolorów) – makro	

TRYB 3-KANAŁOWY 1		
KANAŁ	WARTOŚĆ	FUNKCJA
CH1	000–255	Master – ściemnianie (0–100%)
CH2	000–255	Stroboskop (prędkość 0–100%)
CH3	000–004	Zaciemnienie
	005–080	Kolory makro (czerwony, zielony, niebieski, żółty, magenta, cyjan, biały)
	081–150	Zmiana kolorów (prędkość)
	151–220	Przenikanie kolorów (prędkość)
	221–255	Sterowanie muzyką (czułość mikrofonu)

ENGLISH

DEUTSCH

FRANCAIS

ESPAÑOL

POLSKI

ITALIANO



TRYB DMX:

TRYB 3-KANAŁOWY 2		
KANAŁ	WARTOŚĆ	FUNKCJA
CH1	000–255	Czerwony (0–100%)
CH2	000–255	Zielony (0–100%)
CH3	000–255	Niebieski (0–100%)

TRYB 6-KANAŁOWY		
KANAŁ	WARTOŚĆ	FUNKCJA
CH1	000–255	Master – ściemnianie (0–100%)
CH2	000–255	Stroboskop (prędkość 0–100%)
CH3	000–255	Czerwony (0–100%)
CH4	000–255	Zielony (0–100%)
CH5	000–255	Niebieski (0–100%)
CH6	000–004	Zaciemnienie
	005–080	Kolory makro (czerwony, zielony, niebieski, żółty, magenta, cyjan, biały)
	081–150	Zmiana kolorów (prędkość)
	151–220	Przenikanie kolorów (prędkość)
	221–255	Sterowanie muzyką (czułość mikrofonu)

ENGLISH

DEUTSCH

FRANÇAIS

ESPAÑOL

POLSKI

ITALIANO



ZŁĄCZE DMX:

DMX-512

DMX (Digital Multiplex) to nazwa uniwersalnego protokołu transmisji do komunikacji między odpowiednimi urządzeniami a kontrolerami. Kontroler DMX wysyła dane DMX do podłączonych urządzeń DMX. Transmisja danych DMX następuje zawsze w formie szeregowego strumienia danych, który jest przekazywany z jednego urządzenia do następnego przez znajdujące się w każdym urządzeniu obsługującym standard DMX złącza „DMX IN” i „DMX OUT” (złącza wtykowe XLR) (większość kontrolerów posiada jedynie wyjście DMX).

ZŁĄCZE DMX:

DMX to wspólny „język”, za pomocą którego różne typy i modele urządzeń różnych producentów porozumiewają się ze sobą i mogą być sterowane przy użyciu centralnego kontrolera, o ile wszystkie urządzenia i kontroler obsługują standard DMX. W celu zapewnienia optymalnej transmisji danych wymagane jest, aby kable połączeniowe między poszczególnymi urządzeniami były możliwie jak najkrótsze. Kolejność, w jakiej urządzenia są podłączone do sieci DMX, nie ma znaczenia dla adresowania. I tak urządzenie z adresem DMX 1 może znajdować się w dowolnym miejscu (szeregowego) łańcucha DMX – na początku, na końcu lub gdzieś pośrodku. Po przydzieleniu urządzeniu adresu DMX 1, kontroler „wie”, że ma on wysyłać wszystkie dane przypisane do adresu 1 do tego urządzenia, niezależnie od jego pozycji w sieci DMX.



Obszerny wybór odpowiednich kabli oferują linie produktów Adam Hall 3 STAR, 4 STAR i 5 STAR.

POŁĄCZENIE SZEREGOWE KILKU REFLEKTORÓW

- 1.) Wtyczkę męską 3-biegunową XLR kabla DMX podłączyć do wyjścia DMX (gniazdo żeńskie 3-biegunowe) pierwszego reflektora lub innego urządzenia DMX.
 - 2.) Wtyczkę żeńską 3-biegunową XLR kabla DMX podłączonego do pierwszego reflektora podłączyć do wejścia DMX (gniazdo męskie 3-biegunowe) następnego urządzenia DMX. Wyjście DMX tego urządzenia podłączyć w taki sam sposób do wejścia DMX następnego urządzenia i tak dalej.
- Należy pamiętać, że urządzenia DMX podłącza się szeregowo, a połączeń nie można rozdzielać bez aktywnego rozdzielacza.

ENGLISH

DEUTSCH

FRANCAIS

ESPAÑOL

POLSKI

ITALIANO



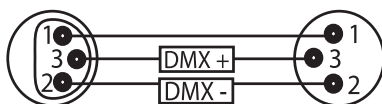
KABEL DMX:

WSKAZÓWKA:

• W przypadku stosowania własnych kabli należy bezwzględnie przestrzegać informacji podanych na ilustracjach na tej stronie. W żadnym wypadku nie wolno łączyć osłony kabla z końcówką uziemiającą wtyczki. Należy także pamiętać, aby osłona nie miała kontaktu z obudową wtyczki XLR. Jeśli osłona ma kontakt z uziemieniem, może dojść do zwarcia i awarii systemu.

Połączenie standardowe

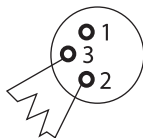
Wyjście DMX 512
3-stykowe XLR



Wejście DMX 512
3-stykowe XLR

WAŻNE: ZAKOŃCZENIE PRZEWODU (TERMINACJA):

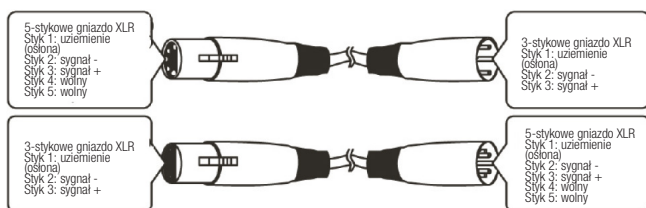
• W przypadku długich odcinków kabli może się okazać, że ostatnie urządzenie w szeregu wymaga terminatora, aby zapobiec awariom systemu.



Zastosowanie terminatora zmniejsza zakłócenia i inne problemy przy transmisji sygnału. Zawsze wskazane jest wstawienie modułu zakończeniowego DMX (opór 120 omów, 1/4 W) między stykiem 2 (DMX-) a stykiem 3 (DMX+) ostatniego urządzenia w szeregu.

Do tego celu stosuje się moduł zakończeniowy do kabla (nr art. K3DMXT3).

• Niektórzy producenci nie stosują do transmisji danych złączy wtykowych 3-biegunowych XLR, lecz wersje 5-biegunowe. Urządzenia ze złączami 5-biegunowymi także można zintegrować z siecią DMX ze złączami 3-biegunowymi XLR. W takim przypadku niezbędny jest odpowiedni adapter kablowy. Poniższa ilustracja przedstawia prawidłowe podłączenie odpowiednich wtyczek.





DANE TECHNICZNE:

Oznaczenie modelu:	CLPSTMINICOB30W
Rodzaj produktu:	reflektor LED PAR
Typ:	Studio Mini PAR
Spektrum kolorów:	RGB
Liczba diod LED:	1
Typ diod LED:	30 W COB
Kąt wiązki światła:	55° (40° z soczewką)
Wejście DMX:	męskie, 3-stykowe, XLR
Wyjście DMX:	żeńskie, 3-stykowe, XLR
Tryb DMX:	2-kanałowy, 3-kanałowy 1, 3-kanałowy 2, 6-kanałowy
Funkcje DMX:	master – ściemnianie, zmiana kolorów, przenikanie kolorów, sterowanie muzyką, stroboskop, RGB
Funkcje Standalone:	zmiana kolorów, przenikanie kolorów, tryb automatyczny, sterowanie muzyką, stroboskop, kolory statyczne, tryb master/slave
Elementy obsługi:	Mode, Enter, Up, Down
Wyświetlacz:	4-znakowy wyświetlacz LED
Napięcie robocze:	100–250 V AC/50–60 Hz
Pobór mocy:	15 W
Złącze zasilania:	kabel sieciowy 1 m z wtyczką Schuko
Materiał obudowy:	metal
Kolor obudowy:	czarny (CLPSTMINICOB30W) biały (CLPSTMINICOB30WWH)
Chłodzenie:	wentylator
Wymiary (szer. x wys. x gł., bez pałąka):	168 x 183 x 186
Waga:	2 kg
Pozostałe cechy:	dołączony podwójny pałąk, rama filtra z soczewką

ENGLISH

DEUTSCH

FRANCAIS

ESPAÑOL

POLSKI

ITALIANO



DEKLARACJE PRODUCENTA:

GWARANCJA PRODUCENTA

Niniejsza gwarancja dotyczy marek Adam Hall, LD Systems, Defender, Palmer i Cameo.

Obejmuje ona wszystkie marki znajdujące się w ofercie firmy Adam Hall.

Niniejsze oświadczenie gwarancyjne nie ogranicza ustawowych roszczeń wobec producenta wynikających z rękojmi, lecz rozszerza je o dodatkowe roszczenia gwarancyjne wobec firmy Adam Hall.

Adam Hall gwarantuje, że w okresie od dwóch do pięciu lat (w zależności od produktu) od daty zakupu dany produkt Adam Hall, który został zakupiony bezpośrednio od firmy Adam Hall lub od autoryzowanego sprzedawcy, pod warunkiem zgodnego z przeznaczeniem użytkowania jest wolny od wad materiałowych i produkcyjnych.

Okres gwarancji rozpoczyna się od daty zakupu produktu, którą w razie wystąpienia przypadku objętego gwarancją należy odpowiednio udokumentować (poprzez przedłożenie faktury lub dowodu dostawy z datą zakupu). Jeśli w przypadku produktów wymienionych powyżej marek konieczna będzie naprawa w trakcie trwania okresu gwarancji, klient jest uprawniony do jej zlecenia w oparciu o niniejsze warunki.

W trakcie trwania okresu gwarancji firma Adam Hall naprawi lub wymieni wadliwe elementy lub produkty. W przypadku naprawy lub wymiany w trakcie trwania okresu gwarancji wymienione części oryginalne lub produkty stają się własnością firmy Adam Hall.

Jeśli nastąpi bardzo mało prawdopodobna sytuacja wielokrotnego występowania wady w nabytym przez klienta produkcie, firma Adam Hall ma prawo, według własnego uznania, zastąpić wadliwy produkt, pod warunkiem, że nowy produkt będzie co najmniej równoważny z wymienianym produktem pod względem specyfikacji technicznej.

Adam Hall nie udziela gwarancji na bezzakłóceniu i/lub bezawaryjne działanie tego produktu. Adam Hall nie ponosi także odpowiedzialności za szkody powstałe wskutek nieprzestrzegania instrukcji obsługi lub innych dokumentów załączonych do tego produktu firmy Adam Hall. Gwarancja producenta nie obejmuje – części zużywalnych (np. akumulatory), – produktów, z których usunięto numer seryjny lub które zostały uszkodzone w wyniku wypadku, – szkód wynikających z nieodpowiedniej eksploatacji, nieprawidłowej obsługi lub innych przyczyn zewnętrznych, – szkód w urządzeniach, które były eksploatowane niezgodnie z ich parametrami roboczymi (parametry zgodne z dokumentacją załączoną do produktu),

– szkód wynikających ze stosowania części zamiennych, które nie są produkowane, sprzedawane lub zalecane przez firmę Adam Hall,

– szkód wynikających z ingerencji osób trzecich/modyfikacji lub napraw, które nie zostały przeprowadzone przez firmę Adam Hall.

Niniejsze postanowienia i warunki stanowią kompletną i wyłączną umowę gwarancyjną między klientem a firmą Adam Hall dotyczącą zakupionego przez klienta produktu Adam Hall.

ENGLISH

DEUTSCH

FRANCAIS

ESPAÑOL

POLSKI

ITALIANO



DEKLARACJE PRODUCENTA:

OGRANICZENIE ODPOWIEDZIALNOŚCI

Jeśli w produktach sprzętowych firmy Adam Hall w trakcie trwania okresu gwarancji wystąpią szkody materiałowe lub technologiczne (zgodnie z powyższym oświadczeniem gwarancyjnym), jedyne i wyłączne prawo klienta wynikające z niniejszej gwarancji dotyczy naprawy lub wymiany urządzenia. Maksymalna odpowiedzialność firmy Adam Hall jest zgodnie z niniejszą gwarancją wyraźnie ograniczona do ceny kupna lub kosztów naprawy lub wymiany (w zależności od tego, która z tych kwot będzie niższa) elementów uszkodzonych podczas normalnego użytkowania.

Adam Hall nie ponosi odpowiedzialności za żadne szkody spowodowane przez produkt lub jego nieprawidłowe działanie, włącznie z utraconym zyskiem i niepowstałymi oszczędnościami oraz szkodami szczególnymi, pośrednimi i wynikowymi. Ponadto Adam Hall nie ponosi odpowiedzialności za roszczenia prawne osób trzecich ani roszczenia zgłoszone przez klienta w imieniu osób trzecich.

Niniejsze ograniczenie odpowiedzialności obowiązuje niezależnie od tego, czy szkody są dochodzone na drodze sądowej lub czy roszczenia odszkodowawcze wnoszone są w ramach niniejszej gwarancji w wyniku niedozwolonych działań (włącznie z niedbalstwem i odpowiedzialnością z tytułu zagrożenia) lub w wyniku roszczeń umownych lub innych. Nie może ono zostać także przez nikogo zniesione ani zmienione. Niniejsze ograniczenie odpowiedzialności obowiązuje także wówczas, gdy klient poinformuje firmę Adam Hall lub autoryzowanego przedstawiciela firmy Adam Hall o możliwości wystąpienia takich szkód, nie obowiązuje natomiast w przypadku roszczeń odszkodowawczych związanych ze szkodami na osobie.

Niniejsza gwarancja producenta przyznaje klientowi określone prawa. W zależności od jurysdykcji (państwo lub kraj związkowy) klientowi może przysługiwać prawo zgłoszenia dalszych roszczeń. W takich przypadkach zaleca się zastosowanie odpowiednich przepisów umożliwiających skorzystanie z pełni przysługujących danej osobie praw.

SKORZYSTANIE Z GWARANCJI

W razie wystąpienia przypadku objętego gwarancją należy zwrócić się bezpośrednio do firmy Adam Hall lub do autoryzowanego sprzedawcy, u którego produkt został zakupiony.

DEKLARACJA ZGODNOŚCI WE

Sprzedawane przez firmę Adam Hall urządzenia są zgodne z podstawowymi wymogami i pozostałymi obowiązującymi specyfikacjami określonymi dyrektywami 1999/5/WE (R&TTE), 2004/108/WE (EMC) i 2006/95/WE (LVD) (o ile mają zastosowanie). Dalsze informacje dostępne są na stronie www.adamhall.com.

ENGLISH

DEUTSCH

FRANCAIS

ESPAÑOL

POLSKI

ITALIANO



DEKLARACJE PRODUCENTA:

PRAWIDŁOWA UTYLIZACJA NINIEJSZEGO PRODUKTU

(dotyczy Unii Europejskiej i innych krajów europejskich, w których stosuje się segregację odpadów)



Niniejszy symbol na produkcie lub związanych z nim dokumentach wskazuje, iż po zakończeniu okresu użytkowania urządzenie nie może być utylizowane razem ze standardowymi odpadami domowymi, ponieważ mogłoby to spowodować szkody w środowisku lub szkody na osobie powstałe w wyniku niekontrolowanego usuwania odpadów. Niniejszy produkt należy utylizować oddzielnie od innych odpadów i przekazać do punktu recyklingu w celu wspierania ruchu okrężnego w gospodarce w ramach idei zrównoważonego rozwoju.

Klienci prywatni otrzymują informacje w zakresie przyjaznych dla środowiska możliwości usuwania odpadów od sprzedawcy, u którego produkt został zakupiony, lub w odpowiednich placówkach regionalnych.

Użytkownicy będący przedsiębiorcami proszeni są o kontakt ze swoimi dostawcami i ewentualne sprawdzenie uzgodnionych umownie warunków utylizacji urządzeń. Niniejszy produkt nie może być utylizowany razem z innymi odpadami przemysłowymi.

OCHRONA ŚRODOWISKA I OSZCZĘDZANIE ENERGII

Oszczędzanie energii stanowi aktywny wkład w ochronę środowiska. Należy wyłączać wszystkie nieużywane urządzenia elektryczne. Aby zapobiec zużyciu prądu przez nieużywane urządzenia znajdujące się w trybie czuwania (standby), należy wyjąć wtyczkę z gniazda sieciowego.

Adam Hall GmbH, wszystkie prawa zastrzeżone. Dane techniczne i funkcjonalne produktu mogą podlegać modyfikacjom. Kopiowanie, tłumaczenie i pozostałe formy reprodukcji fragmentów lub całości tej instrukcji obsługi są zabronione.



ENGLISH

DEUTSCH

FRANCAIS

ESPAÑOL

POLSKI

ITALIANO



ENGLISH

DEUTSCH

FRANCAIS

ESPAÑOL

POLSKI

ITALIANO

La ringraziamo per aver scelto un prodotto Cameo Light!

Questo prodotto è stato progettato per garantire un funzionamento affidabile per molti anni.

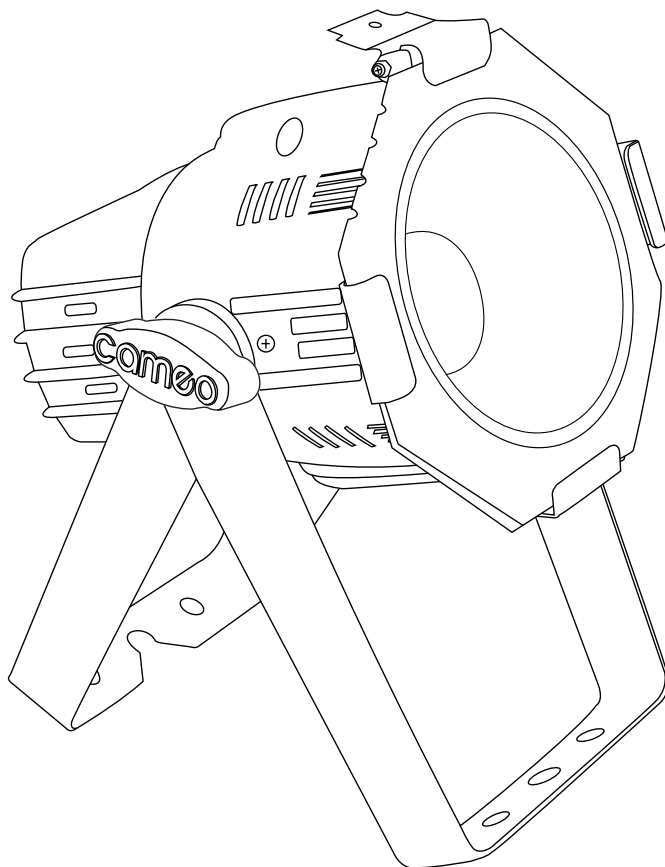
La invitiamo a dedicare un po' del suo tempo per leggere con attenzione le presenti istruzioni affinché possa sfruttare al meglio e rapidamente il suo nuovo prodotto Cameo Light.

Per maggiori informazioni su Cameo Light visiti il sito WWW.CAMEOLIGHT.COM



LED **MINI** PAR CAN

LED COB DA 30W PAR CAN RGB CLPSTMINICOB30W



ENGLISH

DEUTSCH

FRANCAIS

ESPAÑOL

POLSKI

ITALIANO



MISURE PRECAUZIONALI:

1. Leggere attentamente il presente manuale di istruzioni.
2. Conservare tutte le indicazioni e le istruzioni in un luogo sicuro.
3. Seguire le istruzioni.
4. Rispettare tutte le avvertenze. Non rimuovere dal dispositivo le indicazioni sulla sicurezza o altre informazioni.
5. Utilizzare il dispositivo solo nei modi previsti dal manuale.
6. Utilizzare esclusivamente stativi e fissaggi stabili e adatti (per installazioni fisse). Verificare che i supporti a parete siano installati e fissati a regola d'arte. Verificare che il dispositivo sia installato in modo stabile e non possa cadere.
7. Durante l'installazione, osservare le normative sulla sicurezza in vigore nel proprio Paese.
8. Non installare né azionare il dispositivo in prossimità di radiatori, accumulatori termici, stufe o altre fonti di calore. Accertarsi che il dispositivo sia sempre installato in modo che venga raffreddato a sufficienza e non possa surriscaldarsi.
9. Non appoggiare sul dispositivo fonti di combustione, quali candele accese.
10. Le fessure di areazione non devono essere bloccate.
11. Non attivare il dispositivo nelle immediate vicinanze di acqua (questo punto non interessa i dispositivi specifici per l'esterno, per i quali valgono le speciali indicazioni riportate di seguito). Non portare mai il dispositivo a contatto con materiali, liquidi o gas infiammabili.
12. Accertarsi che all'interno del dispositivo non possa penetrare acqua per gocciolamento o spruzzo. Non collocare sul dispositivo oggetti contenenti liquidi, quali vasi, tazze o bicchieri.
13. Assicurarsi che non sia possibile la caduta di oggetti nel dispositivo.
14. Azionare il dispositivo esclusivamente con gli accessori appositamente consigliati e previsti dal produttore.
15. Non aprire né modificare il dispositivo.
16. Una volta collegato il dispositivo, verificare tutti i cavi per evitare danni o incidenti, ad esempio per inciampo.
17. Durante il trasporto, assicurarsi che il dispositivo non possa cadere e causare possibili danni a cose e/o persone.
18. Se il dispositivo non funzionasse più correttamente, vi fosse caduto sopra del liquido o un oggetto o fosse stato danneggiato in altro modo, spegnerlo immediatamente e staccare la spina (se si tratta di un dispositivo attivo). La riparazione del dispositivo deve essere affidata esclusivamente a personale qualificato autorizzato.
19. Per la pulizia del dispositivo utilizzare un panno pulito.
20. Rispettare le leggi sullo smaltimento in vigore nel Paese di installazione. Al momento di smaltire l'imballo, separare la plastica dalla carta e dal cartone.
21. I sacchetti di plastica devono essere tenuti lontani dalla portata dei bambini.

DISPOSITIVI CON ALLACCIAMENTO DI RETE:

22. **ATTENZIONE:** se il cavo di rete è dotato di contatto di protezione, deve essere collegato a una presa di rete con messa a terra. Non disattivare mai la connessione di messa a terra di un cavo di rete.
23. Non accendere il dispositivo subito dopo essere stato sottoposto a forti variazioni di temperatura (ad esempio dopo il trasporto). Umidità e condensa potrebbero danneggiare il dispositivo. Accendere il dispositivo solo dopo che ha raggiunto la temperatura ambiente.
24. Prima di collegare il dispositivo alla presa, controllare innanzitutto se la tensione e la frequenza della rete elettrica coincidono con i valori indicati sul dispositivo stesso. Nel caso di dispositivo munito di selettore di tensione, collegarlo alla presa unicamente se i valori del dispositivo coincidono con quelli della rete elettrica. Se il cavo di rete o l'adattatore di rete forniti in dotazione non sono compatibili con la presa, rivolgersi a un elettricista.
25. Non calpestare il cavo di rete. Accertarsi che i cavi sotto tensione, in particolare della presa di rete o dell'adattatore di rete, non vengano pizzicati.
26. Durante il cablaggio del dispositivo, verificare sempre che il cavo di rete e l'adattatore di rete siano costantemente accessibili. Staccare sempre il dispositivo dall'alimentazione di rete quando non è utilizzato o durante la pulizia. Per staccare dalla presa il cavo di rete e l'adattatore di rete, tirare sempre dalla spina o dall'adattatore e non dal cavo. Non toccare mai il cavo di alimentazione e l'alimentatore con le mani umide.



SICUREZZA:

27. Evitare per quanto possibile di accendere e spegnere velocemente il dispositivo per non pregiudicarne la durata.
28. **NOTA IMPORTANTE:** Sostituire i fusibili esclusivamente con fusibili dello stesso tipo e valore. Se un fusibile continua a saltare, rivolgersi a un centro di assistenza autorizzato.
29. Per staccare completamente il dispositivo dalla rete elettrica, rimuovere il cavo di rete o l'adattatore di rete dalla presa.
30. Per staccare un dispositivo provvisto di presa Volex, è prima necessario sbloccare la relativa spina Volex del dispositivo stesso. Tirando il cavo di rete, però, il dispositivo potrebbe spostarsi e cadere, provocando danni alle persone o di altro genere. Prestare quindi la più scrupolosa attenzione durante la posa dei cavi.
31. In caso di pericolo di caduta di fulmine, o se il dispositivo rimane inutilizzato a lungo, staccare sempre il cavo di rete e l'adattatore di rete dalla presa.



ATTENZIONE:

non togliere mai il coperchio di protezione per evitare il pericolo di scosse elettriche. L'interno del dispositivo non contiene parti che possono essere riparate o sottoposte a manutenzione da parte dell'utente. Le riparazioni dovranno essere realizzate esclusivamente da tecnici qualificati.



Il triangolo isoscele con il simbolo del fulmine indica la presenza nel dispositivo di tensioni non isolate, "pericolose", che possono provocare scosse dannose alla salute.



Il triangolo isoscele con punto esclamativo avverte di importanti segnalazioni relative all'uso e alla manutenzione.

ATTENZIONE! INDICAZIONI IMPORTANTI RELATIVE AI PRODOTTI DI ILLUMINAZIONE

1. Non guardare il fascio di luce da distanze inferiori a 40 cm.
2. Non guardare mai a lungo il fascio di luce da breve-media distanza.
3. Non guardare mai il fascio di luce con dispositivi ottici quali le lenti d'ingrandimento.
4. In alcuni casi, in persone sensibili gli effetti stroboscopici possono causare attacchi epilettici. Pertanto, le persone affette da epilessia devono assolutamente evitare luoghi in cui vengono impiegati effetti stroboscopici.

Il prodotto è stato sviluppato per un uso professionale nella tecnologia applicata a spettacoli e non è idoneo all'impiego nell'illuminazione domestica.

ENGLISH

DEUTSCH

FRANCAIS

ESPAÑOL

POLSKI

ITALIANO



INTRODUZIONE:

LED COB DA 30W PAR CAN RGB (CLPSTMINICOB30W/WH)

FUNZIONI DI COMANDO:

- Controllo DMX a 2 canali, 3 canali (1), 3 canali (2), 6 canali
- Controllo separato dei colori rosso, verde e blu

CARATTERISTICHE:

- 1 LED COB luminoso tricolore (30 W)
- Controllo tramite musica con microfono integrato
- Velocità cambio colore ed effetto stroboscopico controllabili da pannello di comando
- Cambio multicolore
- Funzionalità master/slave
- Resistente alloggiamento in metallo
- Potenza assorbita: 15 W
- LED di lunga durata
- Supporto doppio

UTILIZZO:

L'irradiatore LED COB Cameo ad alta efficienza con mixer colori RGB si distingue per una distribuzione del colore omogenea e può essere controllato con DMX-512. L'intensità dei tre gruppi colorati (rosso, verde, blu) può essere impostata separatamente, permettendo così di ottenere una gamma illimitata di colori diversi.

L'irradiatore LED Cameo può essere messo in funzione sia singolarmente che in modalità master/slave, attraverso il controllo tramite musica e tramite protocollo DMX-512.

ENGLISH

DEUTSCH

FRANCAIS

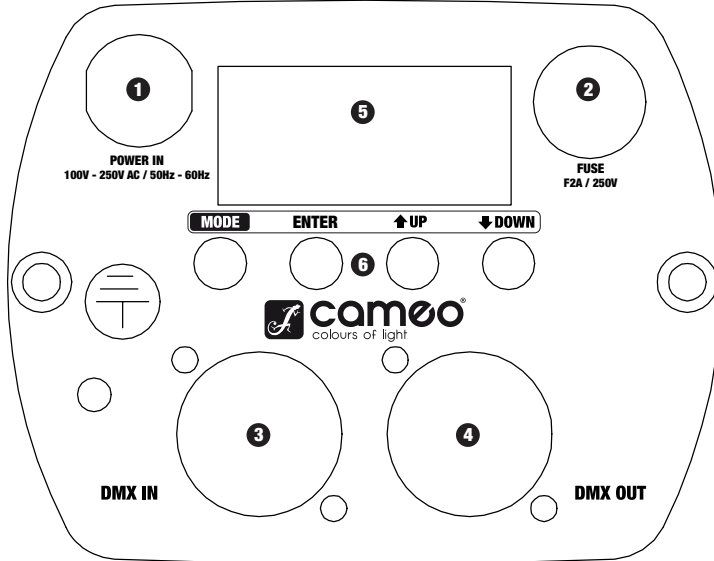
ESPAÑOL

POLSKI

ITALIANO



PANNELLO POSTERIORE:



1 ALIMENTAZIONE ELETTRICA

Cavo di alimentazione collegato fisso da 1 m con connettore Schuko.

2 FUSE (PORTAFUSIBILI)

NOTA IMPORTANTE Sostituire il fusibile solo con un fusibile dello stesso tipo e con gli stessi valori. Se il fusibile continua a saltare, rivolgersi a un centro di assistenza autorizzato.

3 DMX IN

Preso di entrata XLR a 3 poli per collegare un apparecchio di controllo DMX (ad es. mixer DMX).

4 DMX OUT

Preso di uscita XLR a 3 poli per inoltrare il segnale di controllo DMX.

5 DISPLAY LED

Indica le modalità di funzionamento ed altre impostazioni di sistema.

6 TASTI DI COMANDO

I 4 tasti di comando di facile accesso permettono di modificare le impostazioni di sistema.

ENGLISH

DEUTSCH

FRANCAIS

ESPAÑOL

POLSKI

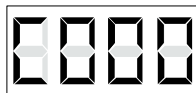
ITALIANO



UTILIZZO:

COLORE STATICO

Premere più volte il tasto **MODE** finché sul display non appare "C000". Premere **ENTER**, quindi con i tasti **UP/DOWN** selezionare il colore desiderato o l'effetto stroboscopico (C1 = rosso; C2 = verde; C3 = blu; CF = effetto stroboscopico). I due digiti seguenti indicano la luminosità (00-99); se si è in modalità **CF**, indicano invece la velocità stroboscopica. Esempi: Impostando C1, C2 e C3 sul valore "00", tutti i LED dell'irradiatore sono spenti (oscuramento). Impostando C1 sul valore "99" e C2 e C3 su "00", l'irradiatore si accende al 100% rosso.



MODE **ENTER** **↑UP** **↓DOWN**

CAMBIO COLORE

Premere più volte il tasto **MODE** finché sul display non appare "JU00". Il faro funziona ora in modalità Cambio colore. Premere **ENTER**, quindi selezionare la funzione 7 colori "JU00" o Stroboscopio "JF00" con i tasti **UP/DOWN**. La velocità di cambio colore e stroboscopica (00-99) si imposta premendo di nuovo **ENTER** e modificando in seguito i valori con i tasti **UP/DOWN**. Per confermare la modifica, premere di nuovo **ENTER**.

Nota: Le due funzioni possono essere utilizzate anche simultaneamente.



MODE **ENTER** **↑UP** **↓DOWN**

7 COLORI

Velocità 00 - 99



MODE **ENTER** **↑UP** **↓DOWN**

STROBO

Velocità 00 - 99



MODE **ENTER** **↑UP** **↓DOWN**



UTILIZZO:

DISSOLVENZA COLORI

Premere più volte il tasto MODE finché sul display non appare "FA00". Il faro funziona ora in modalità Dissolvenza colori. Premere ENTER, quindi selezionare la funzione 7 colori "FA00" o Stroboscopio "FF00" con i tasti UP/DOWN. La velocità di dissolvenza colori e stroboscopica (00-99) si imposta premendo di nuovo ENTER e modificando in seguito i valori con i tasti UP/DOWN. Per confermare la modifica, premere di nuovo ENTER.
Nota: Le due funzioni possono essere utilizzate anche simultaneamente.



MODE ENTER ↑ UP ↓ DOWN

7 COLORI

Velocità 00 - 99



MODE ENTER ↑ UP ↓ DOWN

STROBO

Velocità 00 - 99



MODE ENTER ↑ UP ↓ DOWN

MODALITÀ AUTOMATICA

Premere più volte il tasto MODE finché sul display non appare "AUTO". In questa modalità di funzionamento, è possibile commutare automaticamente tra le modalità Cambio colore e Dissolvenza colori. La velocità di cambio o dissolvenza del colore viene determinata dalle impostazioni della modalità selezionata.



MODE ENTER ↑ UP ↓ DOWN

MODALITÀ SLAVE

Premere più volte il tasto MODE finché sul display non appare "SLAV". Collegare le unità slave e master con un cavo DMX. In seguito, l'unità slave seguirà l'unità master. Confermare con ENTER.



MODE ENTER ↑ UP ↓ DOWN

ENGLISH

DEUTSCH

FRANCAIS

ESPAÑOL

POLSKI

ITALIANO



UTILIZZO:

CONTROLLO TRAMITE MUSICA

Premere più volte il tasto MODE finché sul display non appare "SU00". Il faro sarà ora comandato tramite il microfono integrato e seguirà il ritmo della musica. Premere nuovamente ENTER ed inserire la sensibilità del microfono (00-99) con i tasti UP/DOWN. Confermare con ENTER.



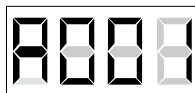
SELEZIONE MODALITÀ DMX

Premere più volte il tasto MODE finché sul display non appare una delle quattro modalità DMX (2Ch, 3Ch1, 3Ch2, 6Ch). Premere ENTER e selezionare la modalità DMX desiderata con l'aiuto dei tasti UP/DOWN. Confermare con ENTER.



IMPOSTAZIONE INDIRIZZO DI AVVIO DMX

Premere più volte il tasto MODE finché sul display non appaiono "A" ed altri 3 digit. Premere ENTER e selezionare l'indirizzo di avvio DMX desiderato (A001-A512) con l'aiuto dei tasti UP/DOWN. Confermare con ENTER. Nota: Per poter mettere in funzione il faro in modalità DMX, deve prima essere impostata la modalità Indirizzo di avvio DMX.



NOTA

Se non viene premuto nessuno dei 4 tasti per circa 20 secondi, il display LED si spegne automaticamente. Non appena si preme uno dei quattro tasti, il display si riaccende.

ATTENZIONE

Per ottenere un del raggio luminoso da 55° a 40°, inserire la lente inclusa nella fornitura nell'apposito supporto.

ENGLISH

DEUTSCH

FRANCAIS

ESPAÑOL

POLSKI

ITALIANO



CONTROLLO DMX:

MODALITÀ A 2 CANALI		
CANALE	VALORE	FUNZIONE
CH1	000 - 255	Dimmer master (0-100%)
CH2	000 - 255	Macro colore
	000 - 031	Oscuramento
	032 - 063	Rosso
	064 - 095	Verde
	096 - 127	Blu
	128 - 159	Giallo
	160 - 191	Ciano
	192 - 223	Magenta
	224 - 255	Bianco
000 - 255	Macro (cambio) colore	

MODALITÀ A 3 CANALI (1)		
CANALE	VALORE	FUNZIONE
CH1	000 - 255	Dimmer master (0-100%)
CH2	000 - 255	Stroboscopio (velocità 0-100%)
CH3	000 - 004	Oscuramento
	005 - 080	Macro colori (rosso, verde, blu, giallo, magenta, ciano, bianco)
	081 - 150	Cambio colore (velocità)
	151 - 220	Dissolvenza colori (velocità)
	221 - 255	Comando tramite musica (sensibilità microfono)

ENGLISH

DEUTSCH

FRANCAIS

ESPAÑOL

POLSKI

ITALIANO



MODALITÀ DMX:

MODALITÀ A 3 CANALI (2)		
CANALE	VALORE	FUNZIONE
CH1	000 - 255	Rosso (0-100%)
CH2	000 - 255	Verde (0-100%)
CH3	000 - 255	Blu (0-100%)

MODALITÀ A 6 CANALI		
CANALE	VALORE	FUNZIONE
CH1	000 - 255	Dimmer master (0-100%)
CH2	000 - 255	Stroboscopio (velocità 0-100%)
CH3	000 - 255	Rosso (0-100%)
CH4	000 - 255	Verde (0-100%)
CH5	000 - 255	Blu (0-100%)
CH6	000 - 004	Oscuramento
	005 - 080	Macro colori (rosso, verde, blu, giallo, magenta, ciano, bianco)
	081 - 150	Cambio colore (velocità)
	151 - 220	Dissolvenza colori (velocità)
	221 - 255	Comando tramite musica (sensibilità microfono)

ENGLISH

DEUTSCH

FRANÇAIS

ESPAÑOL

POLSKI

ITALIANO



COLLEGAMENTO DMX:

DMX-512

DMX (Digital Multiplex) è la sigla di un protocollo universale di trasmissione per la comunicazione tra dispositivi e controller. Un controller DMX invia dati DMX ai dispositivi DMX collegati. I dati DMX vengono sempre trasmessi come flusso di dati seriale, che viene inoltrato da un dispositivo collegato al successivo attraverso le connessioni (connettori XLR) "DMX IN" e "DMX OUT" esistenti per ogni dispositivo DMX compatibile. (La maggior parte dei controller dispone di una sola uscita DMX).

COLLEGAMENTO DMX

DMX è il linguaggio condiviso che consente l'accoppiamento tra diversi tipi di dispositivo e modelli di produttori differenti e il controllo da parte di un controller centrale, a condizione che tutti i dispositivi e il controller siano DMX compatibili. Per una trasmissione dei dati ottimale, il cavo che collega i singoli dispositivi deve essere il più corto possibile. L'ordine dei dispositivi nella rete DMX non influisce sull'indirizzamento. Il dispositivo con indirizzo DMX 1 può quindi trovarsi in una posizione qualsiasi della catena DMX (seriale) DMX: all'inizio, alla fine o in qualsiasi punto al centro. Se a un dispositivo viene assegnato l'indirizzo DMX 1, il controller "sa" di dover inviare a questo dispositivo tutti i dati attribuiti all'indirizzo 1, indipendentemente dalla sua posizione nella interconnessione DMX.



Un'ampia scelta di cavi è disponibile nella linea di prodotti Adam Hall 3 STAR, 4 STAR e 5 STAR.

ACCOUPLAMENTO SERIALE DI PIÙ PROIETTORI

1 Collegare il connettore maschio XLR a tre poli del cavo DMX all'uscita DMX (presa femmina a tre poli) del primo proiettore o altro dispositivo DMX.

2 Collegare il connettore femmina XLR a tre poli del cavo DMX collegato al primo proiettore DMX con l'ingresso DMX (presa a tre poli maschio) del successivo dispositivo DMX. Analogamente, collegare l'uscita DMX di questo dispositivo con l'ingresso DMX del dispositivo seguente e così via.

Tenere presente che in linea di principio i dispositivi DMX sono collegati in serie e i collegamenti non si possono condividere senza uno splitter attivo.

ENGLISH

DEUTSCH

FRANCAIS

ESPAÑOL

POLSKI

ITALIANO



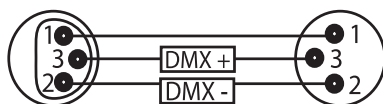
CAVO DMX:

NOTA:

• Laddove si preparino cavi propri, seguire assolutamente quanto indicato nelle immagini riportate in questa pagina. Non collegare mai la schermatura dei cavi con il contatto di massa del connettore, e assicurarsi che la schermatura non entri in contatto con l'involucro del connettore XLR. Il contatto di massa della schermatura può generare cortocircuiti e guasti al sistema.

Collegamento normale

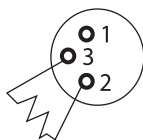
Uscita DMX-512
XLR a 3 poli



Ingresso DMX-512
XLR a 3 poli

RICORDARE: TERMINAZIONE DI LINEA:

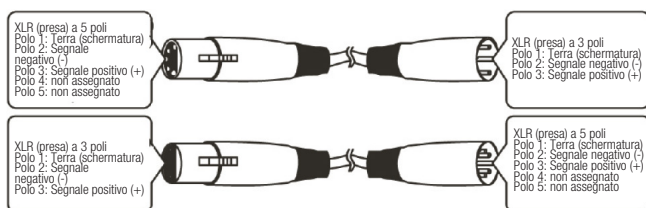
• Se i cavi sono lunghi, per evitare guasti al sistema l'ultimo dispositivo della catena potrebbe necessitare di una resistenza finale,



L'impiego di una resistenza terminale (terminazione) riduce le interferenze ed altri problemi relativi alla trasmissione di segnale. È sempre consigliabile inserire un modulo terminale DMX (resistenza 120 Ohm, 1/4 W) tra il polo 2 (DMX-) ed il polo 3 (DMX+) dell'ultimo apparecchio della catena.

fornita dal modulo di terminazione del cavo (cod. K3DMXT3).

• Per la trasmissione dei dati, alcuni produttori non utilizzano connettori XLR a tre poli ma versioni a cinque poli. Tuttavia, i dispositivi con connessioni XLR a cinque poli si possono integrare anche in una interconnessione DMX con connessioni XLR a tre poli. In questo caso è necessario un adattatore di cavo idoneo. La seguente immagine rappresenta la corretta assegnazione dei relativi connettori.





DATI TECNICI:

ENGLISH

DEUTSCH

FRANCAIS

ESPAÑOL

POLSKI

ITALIANO

Nome modello:	CLPSTMINICOB30W
Tipo di prodotto:	LED PAR Can
Tipo:	Studio Mini PAR
Spettro cromatico:	RGB
Numero LED:	1
Tipo LED:	COB da 30 W
Angolo di proiezione:	55° (40° con lente)
Ingresso DMX:	XLR maschio a tre poli
Uscita DMX:	XLR femmina a tre poli
Modalità DMX:	Modalità a 2 canali, modalità 3 canali (1), modalità 3 canali (2) modalità a 6 canali
Funzioni DMX:	Dimmer master, cambio colore, dissolvenza colori, controllo tramite musica, stroboscopio, RGB
Funzioni standalone:	Cambio colore, dissolvenza colori, modalità automatica, controllo tramite musica, stroboscopio, colori statici, modalità master/ slave
Dispositivi di comando:	Mode, Enter, UP/DOWN
Indicatori:	Display LED a 4 digiti
Tensione di esercizio:	100 - 250 V AC / 50 - 60 Hz
Potenza assorbita:	15 W
Collegamento alimentazione elettrica	Cavo di alimentazione da 1 m con connettore Schuko
Materiale cassa:	metallo
Colore alloggiamento:	nero (CLPSTMINICOB30W) bianco (CLPSTMINICOB30WWH)
Raffreddamento:	ventola
Dimensioni (L x H x P, senza staffa):	168 x 183 x 186
Peso:	2 kg
Altre caratteristiche:	Doppia staffa inclusa, telaio filtro con lente inclusa



DICHIARAZIONI DEL PRODUTTORE:

GARANZIA DEL PRODUTTORE

La presente garanzia copre i marchi Adam Hall, LD Systems, Defender, Palmer e Cameo.

Essa è valida per tutti i prodotti distribuiti da Adam Hall.

La presente dichiarazione di garanzia non influisce sui diritti legali di garanzia verso il produttore, bensì li estende con ulteriori diritti di garanzia nei confronti della ditta Adam Hall.

Adam Hall garantisce, per un periodo di due o cinque anni (chiedere informazioni per il prodotto specifico) dalla data di acquisto, che questo prodotto Adam Hall, acquistato direttamente presso Adam Hall o attraverso un rivenditore autorizzato, laddove utilizzato correttamente, è privo di difetti di materiale e di fabbricazione.

Il periodo di garanzia ha inizio dalla data di acquisto, che, nei casi contemplati dalla garanzia, deve essere adeguatamente documentata presentando la fattura o la bolla di consegna su cui è riportata la data di acquisto. Laddove prodotti delle marche summenzionate necessitassero di interventi di riparazione nel periodo di garanzia, l'acquirente ha diritto a usufruire del servizio alle condizioni indicate nel presente documento.

Nel periodo di garanzia, Adam Hall si fa carico della riparazione o della sostituzione dei componenti o degli apparecchi difettosi. In caso di riparazione o sostituzione nel periodo di garanzia, i prodotti o le parti originali sostituiti passano in proprietà della ditta Adam Hall.

Nell'improbabile caso in cui il prodotto acquistato presentasse ripetuti malfunzionamenti, Adam Hall si riserva il diritto di sostituire, a propria discrezione, il prodotto difettoso con un altro prodotto, a condizione che le caratteristiche tecniche del nuovo prodotto siano almeno equivalenti a quelle del prodotto sostituito.

Adam Hall non garantisce che il prodotto sia perfettamente funzionante e/o non presenti guasti. Adam Hall esclude inoltre qualsiasi responsabilità per danni derivanti dall'inosservanza del manuale d'uso accluso al prodotto e di altra documentazione. La garanzia del produttore non copre: - Parti soggette a usura (come le batterie) - Prodotti da cui sia stato rimosso il numero di serie o che siano stati danneggiati a causa di un incidente - Danni causati da uso improprio, uso errato o altri motivi esterni

- Danni ad apparecchi che non siano stati impiegati secondo i parametri di funzionamento (indicati nella documentazione fornita in dotazione)

- Danni derivanti dall'utilizzo di ricambi non prodotti, distribuiti o consigliati da Adam Hall

- Danni derivanti da interventi o modifiche di terzi o da riparazioni non effettuate da Adam Hall.

Le presenti disposizioni e condizioni costituiscono l'accordo di garanzia completo ed esclusivo tra l'Acquirente e Adam Hall per il prodotto Adam Hall acquistato.

ENGLISH

DEUTSCH

FRANÇAIS

ESPAÑOL

POLSKI

ITALIANO



DICHIARAZIONI DEL PRODUTTORE:

LIMITAZIONE DI RESPONSABILITÀ

Laddove nei prodotti hardware Adam Hall insorgessero difetti di materiale o di fabbricazione (in conformità con la dichiarazione di garanzia di cui sopra) durante il periodo di garanzia, il Cliente usufruirebbe, come unico ed esclusivo diritto previsto dalla presente garanzia, della riparazione o sostituzione dell'apparecchio. La massima responsabilità di Adam Hall è limitata, come espressamente indicato nella presente garanzia, al prezzo d'acquisto o ai costi di riparazione o sostituzione (optando per l'importo minore) dei componenti che risultano difettosi nonostante siano stati correttamente utilizzati.

Adam Hall non è responsabile di alcun danno provocato dal prodotto o dal suo malfunzionamento, ivi compresi mancati guadagni, perdite e danni speciali indiretti o conseguenti. Adam Hall inoltre non è responsabile verso reclami presentati da terzi né verso richieste avanzate dal cliente a nome di terzi.

La presente limitazione di responsabilità vale indipendentemente dal fatto che i danni siano oggetto di procedimenti giudiziari o che le richieste di risarcimento danni siano presentate ai sensi della presente garanzia o per atti illeciti (incluse negligenza e responsabilità oggettiva) o per pretese contrattuali o di altra natura, e non può essere né annullata né modificata da nessuno. La presente limitazione di responsabilità è valida anche nel caso in cui l'utente abbia avvisato Adam Hall o un rappresentante autorizzato circa la possibilità di tali danni. Tale limitazione non è però valevole in caso di richieste per risarcimento danni in relazione a danni a persone.

La garanzia del produttore accorda all'Acquirente determinati diritti; possono tuttavia competere ulteriori diritti in funzione della giurisdizione di pertinenza (stato o regione). Si consiglia quindi di consultare le leggi applicabili per determinare in modo esaustivo i propri diritti.

RICORSO ALLA **GARANZIA**

Per usufruire della garanzia, rivolgersi direttamente ad Adam Hall o al rivenditore autorizzato Adam Hall, presso il quale è stato acquistato il prodotto.

DICHIARAZIONE DI **CONFORMITÀ CE**

I dispositivi distribuiti da Adam Hall ottemperano (ove del caso) ai requisiti essenziali e ad altre specifiche rilevanti delle direttive 1999/5/CE (R&TTE - Apparecchiature radio e apparecchiature terminali di telecomunicazione), 2004/108/CE (EMC - Compatibilità elettromagnetica) e 2006/95/CE (LVD - Materiale elettrico a bassa tensione). Per ulteriori informazioni, consultare il sito www.adamhall.com.

ENGLISH

DEUTSCH

FRANCAIS

ESPAÑOL

POLSKI

ITALIANO



DICHIARAZIONI DEL PRODUTTORE:

CORRETTO SMALTIMENTO DEL PRODOTTO

(In vigore nell'Unione Europea e in altri paesi europei in cui si attui la raccolta differenziata)



Questo simbolo apposto sul prodotto o sui relativi documenti indica che, per evitare danni all'ambiente e alle persone causati da uno smaltimento incontrollato dei rifiuti, alla fine del suo ciclo di vita l'apparecchio non deve essere smaltito insieme ai normali rifiuti domestici. Il prodotto deve quindi essere smaltito separatamente da altri rifiuti e riciclato nell'ottica dell'incentivazione di cicli economici sostenibili.

I clienti privati possono richiedere informazioni sulle possibilità di smaltimento ecosostenibile al rivenditore presso il quale è stato acquistato il prodotto o presso le autorità regionali competenti.

I clienti aziendali devono invece contattare il proprio fornitore e controllare le eventuali condizioni contrattuali inerenti allo smaltimento degli apparecchi. Questo prodotto non deve essere smaltito assieme ad altri rifiuti industriali.

PROTEZIONE DELL'AMBIENTE E RISPARMIO ENERGETICO

Il risparmio energetico contribuisce attivamente alla protezione ambientale. Spegnerne tutti i dispositivi elettrici non utilizzati. Staccare la spina dei dispositivi non utilizzati per evitare che consumino corrente in modalità stand-by.

Adam Hall GmbH, tutti i diritti riservati. I dati tecnici e le caratteristiche del prodotto possono essere soggetti a modifiche. È vietata la copia, la traduzione e qualsiasi altra riproduzione delle presenti istruzioni d'uso o di parte di esse senza previa autorizzazione.

ENGLISH

DEUTSCH

FRANÇAIS

ESPAÑOL

POLSKI

ITALIANO



ENGLISH

DEUTSCH

FRANCAIS

ESPAÑOL

POLSKI

ITALIANO







WWW.CAMEOLIGHT.COM

Adam Hall GmbH | Daimlerstrasse 9 | 61267 Neu-Anspach | Germany
Tel. +49(0)6081/9419-0 | Fax +49(0)6081/9419-1000
web : www.adamhall.com | e-mail : mail@adamhall.com

