

## 5C150

### Coaxial Transducer

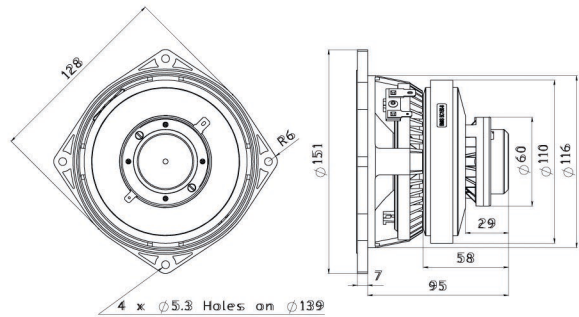


#### Features:

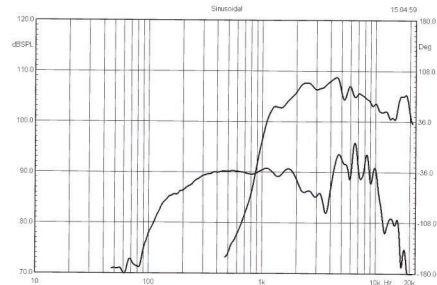
- 90 dB sensitivity 1 W / 1 m
- 130 W + 25 W Power handling
- 1.5" + 1" voice coil
- Single point source providing coherent wave front
- 90° conical dispersion
- Optimal for compact 2-way systems

## SPECIFICATIONS

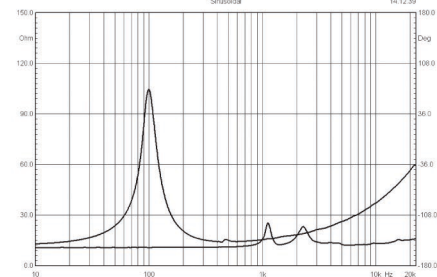
APPLICATION	Transducer	
Nominal Impedance	Ohm	8 + 16
Power handling AES noise	W	130
Sensitivity (1 W / 1 m)	dB	90
Frequency response	Hz	80-20000
Voice Coil Diameter	mm	38
Voice Coil Material		Cu
Voice Coil Winding Depth	mm	15
Magnet Gap Depth	mm	5
Basket		Cast Aluminium
Effect. Diaphragm Diameter D	mm	98



Frequency response measured 1 W (2.83V) at 1 m in a closed enclosure of 11 liter in a closed box incl. 2nd and 3rd harmonic distortion raised 10 dB.



Impedance - 16 Ohm driver



THIELE-SMALL PARAMETERS			
Resonance Frequency	Fs	Hz	99.4
DC Resistance	Re	Ohm	11.9
Mechanical Q Factor	Qms		3.8
Electrical Q Factor	Qes		0.48
Total Quality Factor	Qts		0.43
Equivalent Volume	Vas	L	2.4
Moving Mass	Mms	kg	0.008
Mechanical Compliance	Cms	mm / N	0.3
BL Factor	BL	Tesla m	11.4
Effective Piston Area	Sd	m <sup>2</sup>	0.0075
Max. linear Excursion	Xmax	mm	±5
Voice Coil Inductance	Le1k	mH	0.5
	Le10k	mH	0.44

Specifications High Frequency		
Power Handling AES	W	25
Peak Power	W	200
Sensitivity(1W/1m)	dB	110
Frequency range	Hz	1200-20000
Recommended crossover	Hz	>1500
Voice coil diameter	mm	25.4mm (1")
Magnet material		Neodymium
Flux density	T	1.6
Voice coil material	Copper Clad Aluminum (2 layers in- and outside of the VC)	
Voice coil material		Kapton™
Diaphragm material		Polyester

MOUNTING INFORMATION		
Overall diameter	mm	128 x 128
Mounting holes diameter	mm	4 x 5.3
Bolt circle diameter	mm	139
Baffle cut-out diameter	mm	117
Overall depth	mm	102
Net weight	kg	1.9

#### Recommended reflex enclosure:

1,9L/104 Hz, BRD=30mm/77mm long

3,8L/90 Hz, BRD=40mm/86mm long

Closed enclosure 1 - 4 Liter